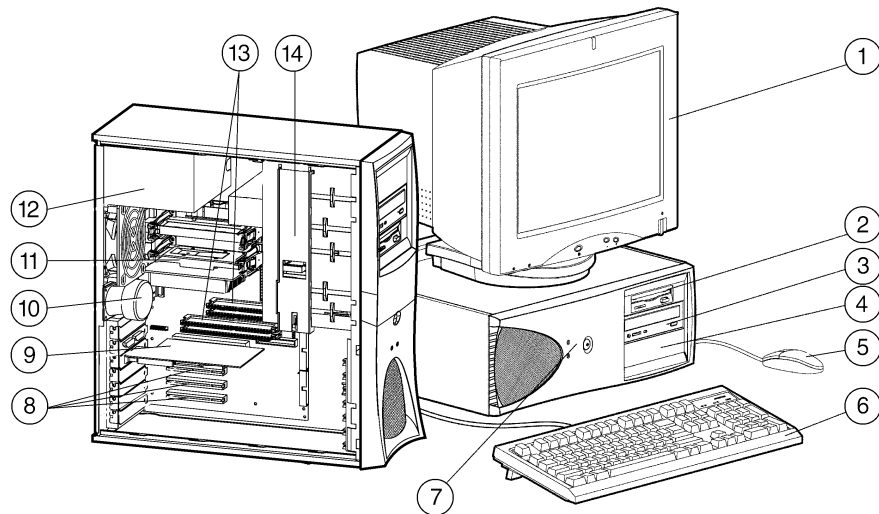


### Overview

#### At A Glance

- Convertible minitower form factor
- Supports up to two Intel Pentium® III 1-GHz or 866-MHz (133-MHz Front Side Bus)
- Intel 840 chipset
- 256-KB L2 cache integrated on processor
- ECC RDRAM expandable to 2 GB
- High-performance Ultra3 (Ultra160) SCSI 10,000 rpm or optional 15,000 rpm hard drives
- Integrated Ultra3 (Ultra160) SCSI and Ultra ATA/66 controllers
- Up to 144 GB of high-performance internal storage
- Choice of NVIDIA Quadro2 MXR, Compaq NVIDIA TNT2 Pro, NVIDIA Quadro2 Pro, Matrox Millennium G450, ELSA GLoria II, ELSA Synergy II, Matrox G200 Quad Multi-monitor Series, or Intense3D Wildcat 4210 Graphics Controllers
- Multiple display support
- Integrated Intel PRO/100+ Management Adapter
- Five total slots (four PCI and one AGP Pro 4X)
- Five bays (three external and two internal)
- 40X or 48X Max CD-ROM Drive or DVD-ROM (depending on model) and Compaq Premier•Sound™ featuring AC '97 audio
- Windows® 2000 or Windows NT Workstation 4.0
- Protected by Compaq Services, including a three-year, limited warranty — Certain restrictions and exclusions apply. Consult the Compaq Customer Support Center for details. Three-year onsite and labor not available in all countries.



1. Compaq Monitor (optional)
2. 1.44-MB Diskette Drive
3. CD-ROM Drive or DVD-ROM Drive
4. 5.25-in Drive Bay (available)
5. Compaq 3-button Mouse
6. Compaq Keyboard
7. On-Off Button
8. PCI Slots
9. AGP Pro/AGP 4X Slot with graphics board
10. Speaker
11. Processors
12. 375-Watt Power Supply
13. Memory Sockets
14. Drivelock

### Standard Features - Pre-configured Models

<b>Models</b>	<b>Compaq Professional Workstation AP550</b> Available in multiple configurations. Not all configurations available in all countries. Check with your Authorized Compaq Reseller or Compaq.	
<b>Processor</b> <i>One of the following:</i>	Intel Pentium III processor 1 GHz Intel Pentium III processor 866 MHz	
<b>Cache Memory</b>	256-KB Level 2 cache per processor standard	
<b>Upgradability</b>	Upgradable to dual processor	
<b>Memory</b> <i>One of the following:</i>	Standard	1 GB of 800-MHz ECC RDRAM
	Standard	512 MB of 800-MHz ECC RDRAM
	Standard	256 MB of 800-MHz ECC RDRAM
	Standard	128 MB of 800-MHz ECC RDRAM
	Maximum	2 GB
<b>Network Controller</b>	Integrated Intel PRO/100+ Management Adapter	
<b>Expansion Slots</b>	I/O (Total/Available)	5
	PCI	4, 3 or 4, depending on model
	AGP Pro/AGP 4X	1, 0 or 1, depending on model
<b>Storage Controller</b>	Integrated Ultra3 (Ultra 160) SCSI and Ultra ATA/66 on all models	
<b>Storage</b>	Diskette Drives	1.44 MB
	ROM	40X or 48X Max CD-ROM Drive or DVD-ROM Drive
	Hard Drives	18.2-GB Ultra3 (Ultra160) SCSI (10,000 rpm) 9.1-GB Ultra3 (Ultra160) SCSI (10,000 rpm) 20-GB Ultra ATA (7200 rpm)
<b>Interfaces</b>	Parallel	1
	USB	2
	Serial	2
	Ultra3 (Ultra 160) SCSI	2 (1 68-pin internal, 1 68-pin external)
	Ultra ATA/66	2 (1 primary, 1 secondary)
	Keyboard (PS/2)	1
	Pointing Device (PS/2 mouse)	1
	Video	1
	Microphone Jack	1
	Headphone Jack	1
	Line-In Jack	1
	Line-Out Jack	1
	RJ-45	1

### Standard Features - Pre-configured Models

---

<b>Graphics</b>	Intense3D Wildcat 4210 (AGP Pro 110/PCI, covers a second PCI slot due to size) Compaq NVIDIA TNT2 Pro (AGP) NVIDIA Quadro2 MXR (AGP) NVIDIA Quadro2 Pro (AGP) ELSA GLoria II (AGP) ELSA Synergy II (AGP) Matrox Millennium G450 (AGP or PCI) Matrox G200 Quad Multi-monitor Series (PCI)
<i>One of the following:</i>	
<b>Audio</b>	Compaq <i>Premier</i> Sound featuring AC'97 Audio Integrated speaker
<b>Software</b>	Microsoft® Windows NT Workstation 4.0 or Windows 2000 Professional (1-GHz models come with a Windows 2000/ Windows NT dual install) Microsoft Service Pack 6a for Windows NT 4.0 Microsoft Service Pack 1 for Windows 2000 Professional Compaq Restore CD Compaq Management Agents Compaq PC Diagnostics via the Web ROM-based Setup Diagnostics for Windows 2000 and Windows NT Microsoft Internet Explorer System Software Manager via the Web Altiris eXpress
<b>Intelligent Manageability</b>	Asset Control Alert on LAN (AoL) hardware ready Wake on LAN (WoL) Fault Management Lite Console Security Management Remote Management Remote Wakeup via Magic Packet Support Remote ROM Flash Remote Security Remote Shut Down Pre-Failure Warranty (processors, hard drives and memory) Bios Features Advanced Configuration and Power Interface (ACPI) 1.0b Advanced Power Management (APM) 1.2 Desktop Management Interface (DMI) 2.1 System Management (SM) Bios 2.3
<b>Security</b>	Diskette write and boot control Flash ROM lock Keyboard password Network server mode Parallel interface control Power-on password Serial interface control Setup password Cable lock provision
<b>Power Supply</b>	375-Watt Power Supply
<b>Service and Support</b>	Protected by Compaq Services including a three-year, limited warranty with three-year parts coverage, three year, on-site service, and three-year labor; 7 x 24 hardware technical phone support and on-line support through the Internet; Pre-Failure Warranty coverage of hard drives, memory, and processors. <i>Note:</i> Certain restrictions and exclusions apply. Consult the Compaq Customer Support Center for details. Three-year, onsite and labor not available in all countries.

---

### Standard Features - Pre-configured Models

<b>P55/1.0/20A/128/XC</b> <i>470005-xxx and graphics option</i> (Note: Matrox G200 unavailable for Windows 2000 with Chinese, Taiwanese, and Korean languages)	<b>Processor</b>	Intel Pentium III 1-GHz
	<b>Cache Memory</b>	256-KB integrated L2
	<b>Memory</b>	128-MB 800-MHz ECC RDRAM
	<b>Optical Drive</b>	48X Max CD-ROM Drive
	<b>Hard Drive</b>	20-GB Ultra ATA 7200 rpm
	<b>Graphics</b>	Choice of graphics option: Matrox G200 Quad MMS with analog cables (159513-B21) (see note) Matrox G200 Quad MMS with DVI cables (179597-B21) (see note) Compaq NVIDIA TNT2 Pro (189998-B21) NVIDIA Quadro2 MXR (221412-B21) NVIDIA Quadro2 Pro (225339-B21) Matrox Millennium G450 (AGP) (202389-B21) Matrox Millennium G450 (PCI) (202390-B21) ELSA GLoria II (174566-B21) ELSA Synergy II (103382-B21) Intense3D Wildcat 4210 (202391-B21)
	<b>Audio</b>	AC97 with Compaq <i>Premier•Sound</i>
	<b>OS</b>	Windows 2000 Professional/Windows NT Workstation 4.0 (dual install)
<b>P55/1.0/18S/256/4XC</b> <i>470005-xxx</i> (Note: Matrox G200 unavailable for Windows 2000 with Chinese, Taiwanese, and Korean languages)	<b>Processor</b>	Intel Pentium III 1-GHz
	<b>Cache Memory</b>	256-KB integrated L2
	<b>Memory</b>	256-MB 800-MHz ECC RDRAM
	<b>Optical Drive</b>	48X Max CD-ROM Drive
	<b>Hard Drive</b>	18.2-GB Ultra3 (Ultra 160) SCSI 10,000 rpm
	<b>Graphics</b>	Matrox G200 MMS
	<b>Audio</b>	AC97 with Compaq <i>Premier•Sound</i>
	<b>OS</b>	Windows 2000 Professional/Windows NT Workstation 4.0 (dual install)
<b>P55/1.0/18S/256/XC</b> <i>470005-xxx and graphics option</i> (Note: Matrox G200 unavailable for Windows 2000 with Chinese, Taiwanese, and Korean languages)	<b>Processor</b>	Intel Pentium III 1-GHz
	<b>Cache Memory</b>	256-KB integrated L2
	<b>Memory</b>	256-MB 800-MHz ECC RDRAM
	<b>Optical Drive</b>	48X Max CD-ROM Drive
	<b>Hard Drive</b>	18.2-GB Ultra3 (Ultra 160) SCSI 10,000 rpm
	<b>Graphics</b>	Choice of graphics option: Matrox G200 Quad MMS with analog cables (159513-B21) (see note) Matrox G200 Quad MMS with DVI cables (179597-B21) (see note) Compaq NVIDIA TNT2 Pro (189998-B21) NVIDIA Quadro2 MXR (221412-B21) NVIDIA Quadro2 Pro (225339-B21) Matrox Millennium G450 (AGP) (202389-B21) Matrox Millennium G450 (PCI) (202390-B21) ELSA GLoria II (174566-B21) ELSA Synergy II (103382-B21) Intense3D Wildcat 4210 (202391-B21)
	<b>Audio</b>	AC97 with Compaq <i>Premier•Sound</i>
	<b>OS</b>	Windows 2000 Professional/Windows NT Workstation 4.0 (dual install)

### Standard Features - Pre-configured Models

<b>P55/1.0/18S/512/2+C</b> 470005-xxx	<b>Processor</b>	Intel Pentium III 1-GHz
	<b>Cache Memory</b>	256-KB integrated L2
	<b>Memory</b>	512-MB 800-MHz ECC RDRAM
	<b>Optical Drive</b>	48X Max CD-ROM Drive
	<b>Hard Drive</b>	18.2-GB Ultra3 (Ultra 160) SCSI 10,000 rpm
	<b>Graphics</b>	ELSA Synergy II
	<b>Audio</b>	AC97 with Compaq <i>Premier•Sound</i>
	<b>OS</b>	Windows 2000 Professional/Windows NT Workstation 4.0 (dual install)
<b>P55/1.0/18S/512/3MC</b> 470005-xxx	<b>Processor</b>	Intel Pentium III 1-GHz
	<b>Cache Memory</b>	256-KB integrated L2
	<b>Memory</b>	512-MB 800-MHz ECC RDRAM
	<b>Optical Drive</b>	48X Max CD-ROM Drive
	<b>Hard Drive</b>	18.2-GB Ultra3 (Ultra 160) SCSI 10,000 rpm
	<b>Graphics</b>	ELSA GLoria II
	<b>Audio</b>	AC97 with Compaq <i>Premier•Sound</i>
	<b>OS</b>	Windows 2000 Professional/Windows NT Workstation 4.0 (dual install)
<b>P55/1.0/18S/512/XC</b> 470005-xxx and graphics option (Note: Matrox G200 unavailable for Windows 2000 with Chinese, Taiwanese, and Korean languages)	<b>Processor</b>	Intel Pentium III 1-GHz
	<b>Cache Memory</b>	256-KB integrated L2
	<b>Memory</b>	512-MB 800-MHz ECC RDRAM
	<b>Optical Drive</b>	48X Max CD-ROM Drive
	<b>Hard Drive</b>	18.2-GB Ultra3 (Ultra 160) SCSI 10,000 rpm
	<b>Graphics</b>	Choice of graphics option: Matrox G200 Quad MMS with analog cables (159513-B21) (see note) Matrox G200 Quad MMS with DVI cables (179597-B21) (see note) Compaq NVIDIA TNT2 Pro (189998-B21) NVIDIA Quadro2 MXR (221412-B21) NVIDIA Quadro2 Pro (225339-B21) Matrox Millennium G450 AGP (202389-B21) Matrox Millennium G450 PCI (202390-B21) ELSA GLoria II (174566-B21) ELSA Synergy II (103382-B21) Intense3D Wildcat 4210 (202391-B21)
	<b>Audio</b>	AC97 with Compaq <i>Premier•Sound</i>
	<b>OS</b>	Windows 2000 Professional/Windows NT Workstation 4.0 (dual install)

### Standard Features - Pre-configured Models

<b>P55/1.0+/18S/512/XC</b> <i>470005-xxx and graphics option</i> (Note: Matrox G200 unavailable for Windows 2000 with Chinese, Taiwanese, and Korean languages)	<b>Processor</b>	Dual Intel Pentium III 1-GHz
	<b>Cache Memory</b>	256-KB integrated L2
	<b>Memory</b>	512-MB 800-MHz ECC RDRAM
	<b>Optical Drive</b>	48X Max CD-ROM Drive
	<b>Hard Drive</b>	18.2-GB Ultra3 (Ultra 160) SCSI 10,000 rpm
	<b>Graphics</b>	Choice of graphics option: Matrox G200 Quad MMS with analog cables (159513-B21) (see note) Matrox G200 Quad MMS with DVI cables (179597-B21) (see note) Compaq NVIDIA TNT2 Pro (189998-B21) NVIDIA Quadro2 MXR (221412-B21) NVIDIA Quadro2 Pro (225339-B21) Matrox Millennium G450 (AGP) (202389-B21) Matrox Millennium G450 (PCI) (202390-B21) ELSA GLoria II (174566-B21) ELSA Synergy II (103382-B21) Intense3D Wildcat 4210 (202391-B21)
	<b>Audio</b>	AC97 with Compaq <i>Premier•Sound</i>
	<b>OS</b>	Windows 2000 Professional/Windows NT Workstation 4.0 (dual install)

<b>P55/1.0/18S/512/XD</b> <i>470005-xxx and graphics option</i> (Note: Matrox G200 unavailable for Windows 2000 with Chinese, Taiwanese, and Korean languages)	<b>Processor</b>	Intel Pentium III 1-GHz
	<b>Cache Memory</b>	256-KB integrated L2
	<b>Memory</b>	512-MB 800-MHz ECC RDRAM
	<b>Optical Drive</b>	10X/40X DVD-ROM Drive
	<b>Hard Drive</b>	18.2-GB Ultra3 (Ultra 160) SCSI 10,000 rpm
	<b>Graphics</b>	Choice of graphics option: Matrox G200 Quad MMS with analog cables (159513-B21) (see note) Matrox G200 Quad MMS with DVI cables (179597-B21) (see note) Compaq NVIDIA TNT2 Pro (189998-B21) NVIDIA Quadro2 MXR (221412-B21) NVIDIA Quadro2 Pro (225339-B21) Matrox Millennium G450 (AGP) (202389-B21) Matrox Millennium G450 (PCI) (202390-B21) ELSA GLoria II (174566-B21) ELSA Synergy II (103382-B21) Intense3D Wildcat 4210 (202391-B21)
	<b>Audio</b>	AC97 with Compaq <i>Premier•Sound</i>
	<b>OS</b>	Windows 2000 Professional/Windows NT Workstation 4.0 (dual install)

### Standard Features - Pre-configured Models

<b>P55/1.0+/18S+/1.0/XC</b> <i>470005-xxx and graphics option</i> (Note: Matrox G200 unavailable for Windows 2000 with Chinese, Taiwanese, and Korean languages)	<b>Processor</b>	Dual Intel Pentium III 1-GHz
	<b>Cache Memory</b>	256-KB integrated L2
	<b>Memory</b>	1-GB 800-MHz ECC RDRAM
	<b>Optical Drive</b>	48X Max CD-ROM Drive
	<b>Hard Drive</b>	Dual 18.2-GB Ultra3 (Ultra 160) SCSI 10,000 rpm
	<b>Graphics</b>	Choice of graphics option: Matrox G200 Quad MMS with analog cables (159513-B21) (see note) Matrox G200 Quad MMS with DVI cables (179597-B21) (see note) Compaq NVIDIA TNT2 Pro (189998-B21) NVIDIA Quadro2 MXR (221412-B21) NVIDIA Quadro2 Pro (225339-B21) Matrox Millennium G450 (AGP) (202389-B21) Matrox Millennium G450 (PCI) (202390-B21) ELSA GLoria II (174566-B21) ELSA Synergy II (103382-B21) Intense3D Wildcat 4210 (202391-B21)
	<b>Audio</b>	AC97 with Compaq <i>Premier•Sound</i>
	<b>OS</b>	Windows 2000 Professional/Windows NT Workstation 4.0 (dual install)
<b>55M/866/512R8/18L/X</b> <i>470003-xxx and graphics option</i>	<b>Processor</b>	Intel Pentium III 866-MHz
	<b>Cache Memory</b>	256-KB integrated L2
	<b>Memory</b>	512-MB 800-MHz ECC RDRAM
	<b>Optical Drive</b>	40X Max CD-ROM Drive
	<b>Hard Drive</b>	18.2-GB Ultra3 (Ultra160) SCSI 10,000 rpm
	<b>Graphics</b>	Choice of graphics option: Matrox G200 Quad MMS with analog cables (159513-B21) Matrox G200 Quad MMS with DVI cables (179597-B21) Compaq NVIDIA TNT2 Pro (189998-B21) NVIDIA Quadro2 MXR (221412-B21) NVIDIA Quadro2 Pro (225339-B21) Matrox Millennium G450 (AGP) (202389-B21) Matrox Millennium G450 (PCI) (202390-B21) ELSA GLoria II (174566-B21) ELSA Synergy II (103382-B21) Intense3D Wildcat 4210 (202391-B21)
	<b>Audio</b>	AC97 with Compaq <i>Premier•Sound</i>
	<b>OS</b>	Windows NT Workstation 4.0
<b>55M/866/256R8/18L/2</b> <i>190108-xx1</i>	<b>Processor</b>	Intel Pentium III 866-MHz
	<b>Cache Memory</b>	256-KB integrated L2
	<b>Memory</b>	256-MB 800-MHz ECC RDRAM
	<b>Optical Drive</b>	40X Max CD-ROM Drive
	<b>Hard Drive</b>	18.2-GB Ultra3 (Ultra160) SCSI 10,000 rpm
	<b>Graphics</b>	Compaq NVIDIA TNT2 Pro
	<b>Audio</b>	AC97 with Compaq <i>Premier•Sound</i>
	<b>OS</b>	Windows NT Workstation 4.0

### Standard Features - Pre-configured Models

55M/866/256R8/18L/2+ 176326-xx1	<b>Processor</b>	Intel Pentium III 866-MHz
	<b>Cache Memory</b>	256-KB integrated L2
	<b>Memory</b>	256-MB 800-MHz ECC RDRAM
	<b>Optical Drive</b>	40X Max CD-ROM Drive
	<b>Hard Drive</b>	18.2-GB Ultra3 (Ultra160) SCSI 10,000 rpm
	<b>Graphics</b>	ELSA Synergy II
	<b>Audio</b>	AC97 with Compaq <i>Premier•Sound</i>
	<b>OS</b>	Windows NT Workstation 4.0
55M/866/256R8/9L/4X 470003-xxx	<b>Processor</b>	Intel Pentium III 866-MHz
	<b>Cache Memory</b>	256-KB integrated L2
	<b>Memory</b>	256-MB 800-MHz ECC RDRAM
	<b>Optical Drive</b>	40X Max CD-ROM Drive
	<b>Hard Drive</b>	9.1-GB Ultra3 (Ultra160) SCSI 10,000 rpm
	<b>Graphics</b>	Matrox G200 Quad MMS with analog cables
	<b>Audio</b>	AC97 with Compaq <i>Premier•Sound</i>
	<b>OS</b>	Windows NT Workstation 4.0
55M/866/256R8/18L/X 176326-xx4 and graphics option	<b>Processor</b>	Intel Pentium III 866-MHz
	<b>Cache Memory</b>	256-KB integrated L2
	<b>Memory</b>	256-MB 800-MHz ECC RDRAM
	<b>Optical Drive</b>	40X Max CD-ROM Drive
	<b>Hard Drive</b>	18.2-GB Ultra3 (Ultra160) SCSI 10,000 rpm
	<b>Graphics</b>	Choice of graphics option: Matrox G200 Quad MMS with analog cables (159513-B21) Matrox G200 Quad MMS with DVI cables (179597-B21) Compaq NVIDIA TNT2 Pro (189998-B21) NVIDIA Quadro2 MXR (221412-B21) NVIDIA Quadro2 Pro (225339-B21) Matrox Millennium G450 (AGP) (202389-B21) Matrox Millennium G450 (PCI) (202390-B21) ELSA GLoria II (174566-B21) ELSA Synergy II (103382-B21) Intense3D Wildcat 4210 (202391-B21)
	<b>Audio</b>	AC97 with Compaq <i>Premier•Sound</i>
	<b>OS</b>	Windows NT Workstation 4.0

### Standard Features - Pre-configured Models

---

**55M/866/256R8/18L/X/W***176326-xx6 and graphics option*

(Note: Matrox G200 DualHead unavailable for Windows 2000 with Chinese, Taiwanese, and Korean languages)

<b>Processor</b>	Intel Pentium III 866-MHz
<b>Cache Memory</b>	256-KB integrated L2
<b>Memory</b>	256-MB 800-MHz ECC RDRAM
<b>Optical Drive</b>	40X Max CD-ROM Drive
<b>Hard Drive</b>	18.2-GB Ultra3 (Ultra160) SCSI 10,000 rpm
<b>Graphics</b>	Choice of graphics option: Millennium G450 (AGP) (202389-B21) Millennium G450 (PCI) (202390-B21) Matrox G200 Quad MMS with analog cables (159513-B21) (see note) Matrox G200 Quad MMS with DVI cables (179597-B21) (see note) Compaq NVIDIA TNT2 Pro 189998-B21 NVIDIA Quadro2 MXR (221412-B21) NVIDIA Quadro2 Pro (225339-B21) ELSA GLoria II (174566-B21) ELSA Synergy II (103382-B21) Intense3D Wildcat 4210 (202391-B21)
<b>Audio</b>	AC97 with Compaq <i>Premier•Sound</i>
<b>OS</b>	Windows 2000 Professional

---

**55M/866/256R8/18L/3M***176326-xx7*

<b>Processor</b>	Intel Pentium III 866-MHz
<b>Cache Memory</b>	256-KB integrated L2
<b>Memory</b>	256-MB 800-MHz ECC RDRAM
<b>Optical Drive</b>	40X Max CD-ROM Drive
<b>Hard Drive</b>	18.2-GB Ultra3 (Ultra160) SCSI 10,000 rpm
<b>Graphics</b>	ELSA GLoria II
<b>Audio</b>	AC97 with Compaq <i>Premier•Sound</i>
<b>OS</b>	Windows NT Workstation 4.0

## Standard Features – Custom Configuration Models

<b>Processor</b>	Intel Pentium III processor 1 GHz Intel Pentium III processor 866 MHz	
<b>Cache Memory</b>	256-KB Level 2 cache standard	
<b>Upgradability</b>	Upgradable to dual processor	
<b>Memory</b>	Maximum	2 GB of 800 or 600-MHz ECC RDRAM
<b>Network Controller</b>	Integrated Intel PRO/100+ Management Adapter	
<b>Expansion Slots</b>	I/O	5
	PCI	4
	AGP Pro/AGP 4X	1
<b>Storage Controller</b>	Integrated Ultra3 (Ultra 160) SCSI and Ultra ATA/66	
<b>Storage</b>	Diskette Drives	1.44 MB
	ROM Drives	48X Max CD-ROM Drive 10X/40X DVD-ROM Drive
	Hard Drives	72-GB, 36.4-GB, 18.2-GB, or 9.1-GB Ultra3 (Ultra160) SCSI (10,000 rpm) 18.2-GB Ultra3 (Ultra160) SCSI (15,000 rpm) 40-GB, 30-GB, or 20-GB Ultra ATA (7200 rpm)
	Removable Storage	8X/4X/32X CD-RW Drive
<b>Interfaces</b>	Parallel	1
	USB	2
	Serial	2
	Ultra3 (Ultra 160) SCSI	2 (1 68-pin internal, 1 68-pin external)
	Ultra ATA/66	2 (1 primary, 1 secondary)
	Keyboard (PS/2)	1
	Pointing Device (PS/2 mouse)	1
	Video	1
	Microphone Jack	1
	Headphone Jack	1
	Line-In	1
	Line-Out	1
<b>Graphics</b>	Intense3D Wildcat 4210 (AGP Pro 110/PCI, covers a second PCI slot due to size) NVIDIA Quadro2 MXR (AGP) Compaq NVIDIA TNT2 Pro (AGP) NVIDIA Quadro2 Pro (AGP) ELSA GLoria II (AGP) ELSA Synergy II (AGP) Matrox Millennium G450 (AGP or PCI) Matrox G200 Quad Multi-monitor Series (PCI)	

### Standard Features – Custom Configuration Models

---

<b>Audio</b>	Compaq Premier•Sound featuring AC'97 Audio Integrated speaker
--------------	--

---

<b>Software</b>	Microsoft Windows NT Workstation 4.0 or Windows 2000 Microsoft Service Pack 6a for Windows NT 4.0 Microsoft Service Pack 1 for Windows 2000 Professional Compaq Restore CD Compaq Management Agents Compaq PC Diagnostics via the Web ROM-based Setup Diagnostics for Windows 2000 and Windows NT Microsoft Internet Explorer System Software Manager via the Web Altiris eXpress
-----------------	---

---

<b>Intelligent Manageability</b>	Asset Control Alert on LAN (AoL) hardware ready Wake on LAN (WoL) Fault Management Lite Console Security Management Remote Management Remote Wakeup via Magic Packet Support Remote ROM Flash Remote Security Remote Shut Down Pre-Failure Warranty (processors, hard drives and memory) Bios Features Advanced Configuration and Power Interface (ACPI) 1.0b Advanced Power Management (APM) 1.2 Desktop Management Interface (DMI) 2.1 System Management (SM) Bios 2.3
----------------------------------	--

---

<b>Security</b>	Diskette write and boot control Flash ROM lock Keyboard password Network server mode Parallel interface control Power-on password Serial interface control Setup password Cable lock provision
-----------------	--

---

<b>Power Supply</b>	375-Watt Power Supply
---------------------	-----------------------

---

<b>Service and Support</b>	Protected by Compaq Services including a three-year, limited warranty with three-year parts coverage, three-year, on-site service, and three-year labor; 7 x 24 hardware technical phone support and on-line support through the Internet; Pre-Failure Warranty coverage of hard drives, memory, and processors. <i>Note: Certain restrictions and exclusions apply. Consult the Compaq Customer Support Center for details. Three-year, onsite and labor not available in all countries.</i>
----------------------------	--

---

### Options

<b>Processor</b>	Pentium III 1 GHz Processor	201057-B21
	Pentium III 866 MHz Processor	176798-B21
	Pentium III 733 MHz Processor	157131-B21
<i>Note: When adding an additional processor, both processors must have the same speed.</i>		
<b>Memory (RDRAM)</b>	512-MB Memory Module (800-MHz ECC)	103996-B21
	256-MB Memory Module (800-MHz ECC)	157341-B21
	128-MB Memory Module (800-MHz ECC)	157338-B21
	64-MB Memory Module (800-MHz ECC)	157335-B21
	256-MB Memory Module (600-MHz ECC)	157339-B21
	128-MB Memory Module (600-MHz ECC)	157336-B21
	64-MB Memory Module (600-MHz ECC)	157333-B21
<i>Note: Memory must be installed in like pairs. Option kits contain one memory module.</i>		
<b>Monitors</b>	TFT8020 Flat Panel Color (18-inch, Opal)	326100-xxx
	TFT8020 Flat Panel Color (18-inch, Carbon)	159244-xxx
	TFT7000 Flat Panel Color (17-inch) (not available in NA)	136143-xxx
	TFT5010 Flat Panel Color (15-inch, Opal)	104741-xxx
	TFT5010 Flat Panel Color (15-inch, Carbon)	154486-xxx
	P1100 CRT (21-inch)	325606-xxx
	P900 CRT (19-inch)	386326-xxx
	P700 CRT (17-inch)	380207-xxx
	V1100 CRT (21-inch)	386472-xxx
	V710 CRT (17-inch)	187895-xxx
<i>Note: AssetControl monitor. AssetControl features are accessible with Compaq Workstations featuring Intelligent Manageability.</i>		
<b>Graphics</b>	Matrox G200 Quad Multi-monitor Series with cables for analog output (PCI) (not available for Windows 2000 with Chinese, Taiwanese, or Korean languages)	159513-B21
	Matrox G200 Quad Multi-monitor Series with cables for DVI output (PCI) (not available for Windows 2000 with Chinese, Taiwanese, or Korean languages)	179597-B21
	Matrox G200 Quad MMS DVI Upgrade Cable Kit (for option kit 159513-B21)	170840-B21
	ELSA Synergy II (AGP)	103382-B21
	ELSA GLoria II (AGP)	174566-B21
	Matrox Millennium G450 (PCI)	202390-B21
	Matrox Millennium G450 (AGP)	202389-B21
	NVIDIA Quadro2 MXR (AGP)	221412-B21
	Compaq NVIDIA TNT2 Pro (AGP)	189998-B21
	NVIDIA Quadro2 Pro (AGP)	225339-B21
	3Dlabs Oxygen GVX1 (AGP) (EMEA and Asia Pacific only)	136398-B21
	3Dlabs Oxygen GVX1 (PCI) (EMEA and Asia Pacific only)	136397-B21
	Intense3D Wildcat 4210 (AGP Pro 110/PCI, covers second PCI slot due to size)	202391-B21
<b>Diskette Drives</b>	100-MB ATAPI ZIP	294402-B21
	250-MB ATAPI ZIP	294416-B21

### Options

<b>Hard Drives</b>	<b>Ultra3 (Ultra160) SCSI Drives</b>	
	72-GB Ultra3 (Ultra160) SCSI 10,000 rpm (1.6")	201735-B21
	36.4-GB Ultra3 (Ultra160) SCSI 10,000 rpm	191189-B21
	18.2-GB Ultra3 (Ultra160) SCSI 15,000 rpm	191188-B21
	18.2-GB Ultra3 (Ultra160) SCSI 10,000 rpm	159764-B21
	9.1-GB Ultra3 (Ultra160) SCSI 10,000 rpm	159763-B21
	<b>Ultra ATA Drives</b>	
	40-GB Ultra ATA 7200 rpm Quiet Seek and Quiet Idle	201066-B21
	30-GB Ultra ATA 7200 rpm Quiet Seek and Quiet Idle	178252-B21
	20-GB Ultra ATA 7200 rpm Quiet Seek (outside EMEA)	176272-B21
20-GB Ultra ATA 7200 rpm Quiet Seek and Quiet Idle (EMEA only)	176275-021	
<b>Storage Controllers</b>	Adaptec 29160N Ultra 160 (U3) Single Channel SCSI Controller	157810-B21
<b>Tape Drives</b>	TR5 10/20-GB	294243-B21
	20/40-GB DAT	157769-B21
	33/66 GB VXA-1 SCSI Tape Drive (Opal)	237108-B21
	33/66 GB VXA-1 IDE Tape Drive (Opal)	237109-B21
	33/66 GB VXA-1 Media (2-Pack)	237111-B21
	VXA-1 Cleaning Cartridge	237110-B21
<b>Biometrics</b>	Compaq Fingerprint Identification Technology	294307-001
<b>Multimedia</b>	Premier•Sound PS330 Speakers (high-end system with subwoofer)	160992-xx1
	ACS233 External Speakers	203622-xxx
	ACS21 External Speakers (enhanced system with subwoofer)	194839-xxx
	10X/40X DVD-ROM (without MPEG2 decoder)	294414-B21
	12X/8X/32X CD-RW Drive (Opal)	217638-B21
	4.7-GB DVD-RAM Drive	294415-B21
	4.7-GB DVD-RAM Drive Media Kit	211082-B21
<b>Communications</b>	Intel PRO/100+ Management Adapter	127453-B21
	Compaq NC3123 Fast Ethernet NIC PCI 10/100 WoL	174830-B21
	Compaq NC3122 Fast Ethernet NIC PCI Dual 10/100	317450-B21
	Compaq NC3134: 64 PCI, Dual Base 10/100 WoL	138603-B21
	Compaq NC3135: 10/100 Dual Upgrade Module (for NC3134)	138604-B21
	Compaq NC6134 Gbit NIC 64 PCI 1000SX	174818-B21
	V.90 PCI Modem (available in North America)	174537-B21
<b>Uninterruptible Power Systems</b>	Compaq Tower UPS Model T1500h (high voltage, not available in North America)	242688-004
	Compaq Tower UPS Model T1500 (low voltage)	242688-003
	Compaq Tower UPS Model T1000h (high voltage, not available in North America)	242688-002
	Compaq Tower UPS Model T1000 (low voltage)	242688-001
	Compaq Tower UPS Model T700h (high voltage, not available in North America)	295372-B22
	Compaq Tower UPS Model T700 (low voltage)	295372-B21

### Options

---

<b>Other</b>	Compaq Spaceball 4000 3D Motion Control Input Device	112138-B21
	3-Button Mouse	269192-B22
	Compaq Scroll Mouse	170299-B21
	Easy Access Keyboard	122660-xx6
	Compaq Smart Card Keyboard	115506-xx6
	External SCSI Adapter 68-/50-Pin	270187-B21
	Sliding Shelf Kit for Rack	332564-B21
	Rack Mount Conversion Kit, fixed Rails	303606-B21
Depth Adjustable Rails	332558-B21	

---

<b>Support Software CD</b>	Annual Subscription	183426-xxx
	Single CD-ROM (current month)	272505-001

## Memory

### Compaq Professional Workstation AP550 (128 MB)

#### STANDARD MEMORY

128-MB of 800-MHz ECC RDRAM is standard. Memory must be installed in like pairs. Mixing 600-MHz and 800-MHz RDRAM will cause the system to operate at the lower speed.

#### STANDARD MEMORY PLUS OPTIONAL MEMORY

Support for up to 1152 MB of 800-MHz ECC RDRAM is available with the installation of optional Memory Kits. Memory must be installed in like pairs. Mixing 600-MHz and 800-MHz RDRAM will cause the system to operate at the lower speed.

#### STANDARD MEMORY REPLACED WITH OPTIONAL MEMORY

Support for up to 2 GB of 600-MHz or 800-MHz ECC RDRAM is available with the removal of the standard 64-MB RDRAM modules and the installation of optional 600-MHz or 800-MHz ECC RDRAM Kits. Memory must be installed in like pairs. Mixing 600-MHz and 800-MHz RDRAM will cause the system to operate at the lower speed.

Note: These charts do not represent all possible memory configurations. Memory must be installed in like pairs. Option kits contain one memory module. Mixing 600-MHz and 800-MHz RDRAM will cause the system to operate at the lower speed.

Memory		Memory Channel A		Memory Channel B	
		XMM1	XMM2	XMM3	XMM4
Standard	128 MB	64 MB	CRIMM	64 MB	CRIMM
Optional	256 MB	64 MB	64 MB	64 MB	64 MB
Optional	384 MB	64 MB	128 MB	64 MB	128 MB
Optional	640 MB	64 MB	256 MB	64 MB	256 MB
Optional	1152 MB	64 MB	512 MB	64 MB	512 MB
Maximum	512 MB	128 MB	128 MB	128 MB	128 MB
Maximum	1024 MB	256 MB	256 MB	256 MB	256 MB
Maximum	2048 MB	512 MB	512 MB	512 MB	512 MB

Following are memory options available from Compaq:

- 512-MB Memory Kit (RDRAM RIMM, 800 MHz) 103996-B21
- 256-MB Memory Kit (RDRAM RIMM, 800 MHz) 157341-B21
- 128-MB Memory Kit (RDRAM RIMM, 800 MHz) 157338-B21
- 64-MB Memory Kit (RDRAM RIMM, 800 MHz) 157335-B21
- 256-MB Memory Kit (RDRAM RIMM, 600 MHz) 157339-B21
- 128-MB Memory Kit (RDRAM RIMM, 600 MHz) 157336-B21
- 64-MB Memory Kit (RDRAM RIMM, 600 MHz) 157333-B21

### Memory

#### Compaq Professional Workstation AP550 (256 MB)

##### STANDARD MEMORY

256-MB of 800-MHz ECC RDRAM is standard. Memory must be installed in like pairs. Mixing 600-MHz and 800-MHz RDRAM will cause the system to operate at the lower speed.

##### STANDARD MEMORY PLUS OPTIONAL MEMORY

Support for up to 1280 MB of 600-MHz or 800-MHz ECC RDRAM is available with the installation of optional Memory Kits. Memory must be installed in like pairs. Mixing 600-MHz and 800-MHz RDRAM will cause the system to operate at the lower speed.

##### STANDARD MEMORY REPLACED WITH OPTIONAL MEMORY

Support for up to 2 GB of 600-MHz or 800-MHz ECC RDRAM is available with the removal of the standard 128-MB RDRAM modules and the installation of optional 600-MHz or 800-MHz ECC RDRAM Kits. Memory must be installed in like pairs. Mixing 600-MHz and 800-MHz RDRAM will cause the system to operate at the lower speed.

Note: This chart does not represent all possible memory configurations. Memory must be installed in like pairs. Option kits contain one memory module. Mixing 600-MHz and 800-MHz RDRAM will cause the system to operate at the lower speed.

Memory		Memory Channel A		Memory Channel B	
		XMM1	XMM2	XMM3	XMM4
Standard	256 MB	128 MB	CRIMM	128 MB	CRIMM
Optional	384 MB	128 MB	64 MB	128 MB	64 MB
Optional	512 MB	128 MB	128 MB	128 MB	128 MB
Optional	768 MB	128 MB	256 MB	128 MB	256 MB
Optional	1280 MB	128 MB	512MB	128 MB	512 MB
Maximum	1024 MB	256 MB	256 MB	256 MB	256 MB
Maximum	2048 MB	512 MB	512 MB	512 MB	512 MB

Following are memory options available from Compaq:

- 512-MB Memory Kit (RDRAM RIMM, 800 MHz) 103996-B21
- 256-MB Memory Kit (RDRAM RIMM, 800 MHz) 157341-B21
- 128-MB Memory Kit (RDRAM RIMM, 800 MHz) 157338-B21
- 64-MB Memory Kit (RDRAM RIMM, 800 MHz) 157335-B21
- 256-MB Memory Kit (RDRAM RIMM, 600 MHz) 157339-B21
- 128-MB Memory Kit (RDRAM RIMM, 600 MHz) 157336-B21
- 64-MB Memory Kit (RDRAM RIMM, 600 MHz) 157333-B21

### Memory

---

#### Compaq Professional Workstation AP550 (512 MB)

##### STANDARD MEMORY

512-MB of 800-MHz ECC RDRAM is standard. Memory must be installed in like pairs.

##### STANDARD MEMORY PLUS OPTIONAL MEMORY

Support for up to 2 GB of 800-MHz ECC RDRAM is available with the installation of optional ECC RDRAM Kits. Memory must be installed in like pairs.

Note: This chart does not represent all possible memory configurations. Memory must be installed in like pairs. Option kits contain one memory module. Mixing 600-MHz and 800-MHz RDRAM will cause the system to operate at the lower speed.

Memory		Memory Channel A		Memory Channel B	
		XMM1	XMM2	XMM3	XMM4
Standard	512 MB	256 MB	CRIMM	256 MB	CRIMM
Optional	1 GB	256 MB	256 MB	256 MB	256 MB
Optional	2 GB	512 MB	512 MB	512 MB	512 MB

Following are memory options available from Compaq:

- 512-MB Memory Kit (RDRAM RIMM, 800 MHz) 103996-B21
- 256-MB Memory Kit (RDRAM RIMM, 800 MHz) 157341-B21
- 128-MB Memory Kit (RDRAM RIMM, 800 MHz) 157338-B21
- 64-MB Memory Kit (RDRAM RIMM, 800 MHz) 157335-B21

### Memory

---

#### Compaq Professional Workstation AP550 (1 GB)

##### STANDARD MEMORY

1 GB of 800-MHz ECC RDRAM is standard.

##### STANDARD MEMORY PLUS OPTIONAL MEMORY

Support for up to 2 GB of ECC RDRAM. Memory must be installed in like pairs.

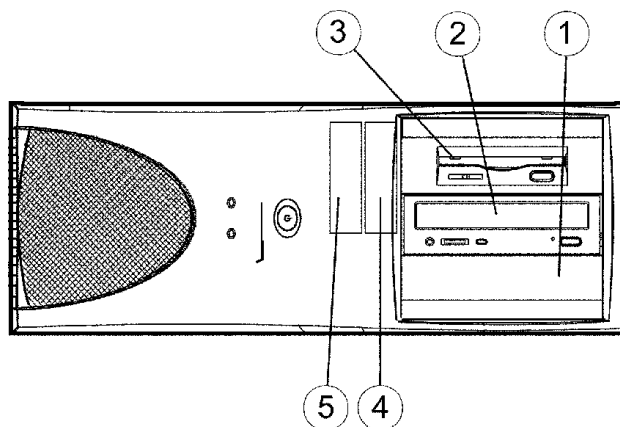
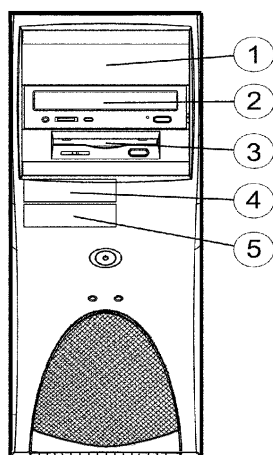
Note: This chart does not represent all possible memory configurations. Memory must be installed in like pairs. Option kits contain one memory module. Mixing 600-MHz and 800-MHz RDRAM will cause the system to operate at the lower speed.

Memory		Memory Channel A		Memory Channel B	
		XMM1	XMM2	XMM3	XMM4
Standard	1 GB	256 MB	256 MB	256 MB	256 MB
Optional	2 GB	512 MB	512 MB	512 MB	512 MB

Following are memory options available from Compaq:

- 512-MB Memory Kit (RDRAM RIMM, 800 MHz) 103996-B21
- 256-MB Memory Kit (RDRAM RIMM, 800 MHz) 157341-B21
- 128-MB Memory Kit (RDRAM RIMM, 800 MHz) 157338-B21
- 64-MB Memory Kit (RDRAM RIMM, 800 MHz) 157335-B21

## Storage



### DRIVE SUPPORT

	Quantity Supported	Position Supported	Controller
<b>Removable Media</b>			
1.44-MB Diskette Drive	Up to 1	1, 2, 3	Integrated
CD-ROM Drive	Up to 1	1, 2	Integrated EIDE
100-MB ATAPI ZIP Drive	Up to 1	1, 2	Integrated EIDE
250-MB ATAPI ZIP Drive	Up to 1	1, 2	Integrated EIDE
10X/40X DVD-ROM Drive	Up to 1	1, 2	Integrated EIDE
8X/4X/32X CD-RW Drive	Up to 1	1, 2	Integrated EIDE
4.7-GB DVD-RAM Drive	Up to 1	1, 2	Integrated EIDE

#### Hard Drives

##### Ultra3 (Ultra 160) SCSI Drives

<b>1.6-inch</b>			Ultra3 (Ultra160) SCSI Controller, Adaptec 2100S
72-GB 10,000 rpm	Up to 2	1, 2	
<b>1-inch</b>			
36.4-GB 10,000 rpm	Up to 3	1, 2, 3, 4, 5	
18.2-GB 15,000 rpm			
18.2-GB 10,000 rpm			
9.1-GB 10,000 rpm			

##### Ultra ATA Drives

<b>1-inch</b>	Up to 3	1, 2, 3, 4, 5	Integrated EIDE
20-GB 7200 rpm			
30-GB 7200 rpm			
40-GB 7200 rpm			

#### Maximum Storage Capacity

Internal	144 GB (assumes two removable media drives installed)
----------	---

#### Tape Drives

TR5 10/20 Tape Drive	Up to 1	1, 2	Integrated EIDE
AIT 35/70-GB Internal Tape Drive	Up to 1	1, 2	SCSI
20/40-GB DAT Drive	Up to 1	1, 2	SCSI

### Technical Specifications

<b>System Unit</b>	<b>Tower Dimensions (HxWxD)</b>	17.65 x 6.6 x 17.11 in/44.83 x 16.76 x 43.46 cm		
	<b>Weight (standard configuration)</b>	26 lbs/12 kg		
	<b>Power Supply</b>	Operating Voltage Range	90 VAC to 264 VAC	
		Rated Voltage Range	100 VAC to 120 VAC; 200 VAC to 240 VAC	
		Rated Line Frequency	50 Hz to 60 Hz	
		Rated Input Current	8A @ 115 VAC; 4A @ 230 VAC	
		Maximum Rated Power	375-Watt output; 650-Watt input	
		Physical Dimensions	5.9 x 3.85 x 6.3 in/15 x 9.8 x 16 cm	
		Weight	4.5 lbs/2.05 kg	
	<b>Temperature (Values are subject to change)</b>	Operating	50° to 95°F/10° to 35°C	
		Non-operating	4° to 140°F/-15° to 60°C	
	<b>Humidity (non-condensing) (Values are subject to change)</b>	Operating	20% to 80%	
		Non-operating	10% to 90%	
<b>Maximum Altitude (unpressurized)</b>	Operating	10,000 ft/3,048 m		
	Non-operating	30,000 ft/9,144 m		
<b>Enhanced Keyboard</b>	<b>Dimensions (HxWxD)</b>	1.3 x 6.4 x 18.3 in/3.3 x 16.26 x 46.48 cm		
	<b>Weight</b>	3 lbs/1.4 kg		
	<b>Cable Length</b>	8 ft/2.4 m		
<b>1.44-MB Diskette Drive</b>	<b>Diskette Size</b>	3.5 in		
	<b>LED Indicators (front panel)</b>	Green		
	<b>Read/Write Capacity per Diskette (high/low)</b>	1.44 MB/720 KB		
	<b>Drive Height</b>	One-third		
	<b>Drive Rotation</b>	300 rpm		
	<b>Transfer Rate (high/low)</b>	500/250 Kb/s		
	<b>Bytes/Sector</b>	512		
	<b>Sectors/Track (high/low)</b>	18/9		
	<b>Tracks/Side (high/low)</b>	80/80		
	<b>Access Times</b>	Track-to-Track (high/low)	3/6 ms	
		Average (high/low)	94/173 ms	
		Settling Time	15 ms	
		Latency Average	100 ms	
<b>Cylinders (high/low)</b>	80/80			
<b>Read/Write Heads</b>	Two			

### Technical Specifications

Ultra3 (Ultra160) SCSI Hard Drives	72 GB	<b>Capacity</b>	72,000 MB	
	201735-B21	<b>Height</b>	1.6 in/40.64 mm	
		<b>Width</b>	3.5 in/88.9 mm	
		<b>Interface</b>	Ultra3 (Ultra160) SCSI	
		<b>Synchronous Transfer Rate (Maximum)</b>	160 MB/s	
		<b>Seek Time</b> (typical reads, including settling)	Single Track	0.6 ms
			Average	5.2 ms
			Full-Stroke	12 ms
			<b>Rotational Speed</b>	10,000 rpm
		<b>Logical Blocks</b>	142,264,000	
	<b>Operating Temperature</b>	50° to 95°F/10° to 35°C		
	36.4 GB	<b>Capacity</b>	36,400 MB	
	191189-B21	<b>Height</b>	1.0 in/25.4 mm	
		<b>Width</b>	3.5 in/88.9 mm	
		<b>Interface</b>	Ultra3 (Ultra160) SCSI	
		<b>Synchronous Transfer Rate (Maximum)</b>	160 MB/s	
	<b>Seek Time</b> (typical reads, including settling)	Single Track	0.6 ms	
		Average	4.7 ms	
		Full-Stroke	12 ms	
		<b>Rotational Speed</b>	10,000 rpm	
	<b>Logical Blocks</b>	71,132,000		
	<b>Operating Temperature</b>	50° to 95°F/10° to 35°C		
	18.2 GB	<b>Capacity</b>	18,209 MB	
	191188-B21	<b>Height</b>	1 in/25.4 mm	
		<b>Width</b>	3.5 in/88.9 mm	
		<b>Interface</b>	Ultra3 (Ultra160) SCSI	
		<b>Synchronous Transfer Rate (Maximum)</b>	160 MB/s	
	<b>Seek Time</b> (typical reads, including settling)	Single Track	0.8 ms	
		Average	4.1 ms	
		Full-Stroke	7.7 ms	
		<b>Rotational Speed</b>	15,000 rpm	
	<b>Logical Blocks</b>	35,566,000		
	<b>Operating Temperature</b>	50° to 95°F/10° to 35°C		
	18.2 GB	<b>Capacity</b>	18,209 MB	
	159764-B21	<b>Height</b>	1 in/25.4 mm	
		<b>Width</b>	3.5 in/88.9 mm	
		<b>Interface</b>	Ultra3 (Ultra160) SCSI	
		<b>Synchronous Transfer Rate (Maximum)</b>	160 MB/s	
	<b>Seek Time</b> (typical reads, including settling)	Single Track	0.6 ms	
		Average	4.7 ms	
		Full-Stroke	12 ms	
		<b>Rotational Speed</b>	10,000 rpm	
	<b>Logical Blocks</b>	35,566,000		
	<b>Operating Temperature</b>	50° to 95°F/10° to 35°C		

### Technical Specifications

Ultra3 (Ultra160) SCSI Hard Drives <i>(continued)</i>	9.1 GB	Capacity	9,100 MB	
	159763-B21	Height	1 in/25.4 mm	
		Width	3.5 in/88.9 mm	
		Interface	Ultra3 (Ultra160) SCSI	
		Synchronous Transfer Rate (Maximum)	160 MB/s	
		Seek Time (typical reads, including settling)	Single Track	0.6 ms
			Average	4.7 ms
			Full-Stroke	12 ms
			Rotational Speed	10,000 rpm
		Logical Blocks	17,773,500	
	Operating Temperature	50° to 95°F/10° to 35°C		
Ultra ATA Hard Drives	40 GB	Capacity	40,000 MB	
	201066-B21	Height	1 in/25.4 mm	
		Width	3.5 in/88.9 mm	
		Interface	Ultra ATA	
		Synchronous Transfer Rate (Maximum)	66.6 MB/s	
		Seek Time (typical reads, including settling)	Single Track	1.2 ms (2.7 ms quiet seek)
			Average	8 ms (10.1 ms quiet seek)
			Full-Stroke	18.0 ms (21.1 ms quiet seek)
			Rotational Speed	7200 rpm
		Logical Blocks	78,165,360	
	Operating Temperature	41° to 131°F/5° to 55°C		
	30 GB	Capacity	30,000 MB	
	178252-B21	Height	1 in/25.4 mm	
		Width	3.5 in/88.9 mm	
		Interface	Ultra ATA	
		Synchronous Transfer Rate (Maximum)	66.6 MB/s	
		Seek Time (typical reads, including settling)	Single Track	1.2 ms (2.7 ms quiet seek)
			Average	8 ms (10.1 ms quiet seek)
			Full-Stroke	18.0 ms (21.1 ms quiet seek)
			Rotational Speed	7200 rpm
		Logical Blocks	58,633,334	
	Operating Temperature	41° to 131°F/5° to 55°C		
	20 GB	Capacity	20,000 MB	
	176272-B21 <i>(outside EMEA)</i>	Height	1 in/25.4 mm	
		Width	3.5 in/88.9 mm	
		Interface	Ultra ATA	
	176275-B21 <i>(EMEA only)</i>	Synchronous Transfer Rate (Maximum)	66.6 MB/s	
		Seek Time (typical reads, including settling)	Single Track	1.2 ms (2.7 ms quiet seek)
			Average	8 ms (10.1 ms quiet seek)
			Full-Stroke	18.0 ms (21.1 ms quiet seek)
			Rotational Speed	7200 rpm
		Logical Blocks	39,102,336	
	Operating Temperature	41° to 131°F/5° to 55°C		

### Technical Specifications

<b>40X CD-ROM Drive</b>	<b>Disk</b>	Applicable Disk	CD-ROM (Mode 1 and 2), CD-DA, CD-R/W, Photo CD (Single and Multi-session), Mixed Mode (Audio and Data combined), CDI Ready, CD-XA Ready	
		Capacity	540 MB (Mode 1, 12 cm) 650 MB (Mode 2, 12 cm)	
		Rotational Speed	8,750 maximum	
		Diameter	4.7 in, 3.15 in/12 cm, 8 cm	
		Center Hole	0.6 in/15 mm diameter	
		Thickness	0.05 in/1.2 mm	
		Track Pitch	1.6 µm	
		<b>Block Size</b>	Mode 1	2,048 bytes
			Mode 2	2,340, 2,336 bytes
			CD-DA	2,352 bytes
		CD-XA	2,328 bytes	
	<b>Interface</b>	IDE		
	<b>Access Times (typical)</b>	Random	< 100 ms	
		Full-Stroke	< 150 ms	
	<b>Audio Output Level</b>	Line-Out	0.7 VRMS	
	<b>Data Transfer Rate</b>	Sustained	150 KB/s (1X, using audio disc)	
		Variable	2,550 to 6,000 KB/s (17X to 40X with 650 MB disc)	
	<b>Cache Buffer</b>	128 KB minimum		
	<b>Start-up Time (typical)</b>	< 7 s		
	<b>Stop Time</b>	< 4 s		
	<b>Operating Conditions</b>	Temperature	41° to 113°F/5° to 45°C	
		Humidity	10% to 80%	
	<b>Dimensions</b>	(HxWxD, maximum)	1.7 x 5.9 x 8.19 in/4.29 x 15 x 20.8 cm	
		Weight	2.65 lbs/1.2 kg	

### Technical Specifications

<b>48X CD-ROM Drive</b>	<b>Disk</b>	Applicable Disk	CD-ROM (Mode 1 and 2), CD-R/W, CD-R Photo CD (Single and Multi-session), Mixed Mode (Audio and Data combined), CDI Ready, CD-XA Ready, CD TEXT, CD EXTRA	
		Capacity	540 MB (Mode 1, 12 cm) 650 MB (Mode 2, 12 cm)	
		Rotational Speed	8750 maximum	
		Diameter	4.7 in, 3.15 in/12 cm, 8 cm	
		Center Hole	0.6 in/15 mm diameter	
		Thickness	0.05 in/1.2 mm	
		Track Pitch	1.6 $\mu$ m	
		<b>Block Size</b>	Mode 1	2,048 bytes
			Mode 2	2,340, 2,336 bytes
		CD-DA	2,352 bytes	
		CD-XA	2,328 bytes	
	<b>Interface</b>	IDE		
	<b>Access Times (typical)</b>	Random	< 100 ms	
		Full-Stroke	< 150 ms	
	<b>Audio Output Level</b>	Line-Out	0.7 VRMS	
	<b>Data Transfer Rate</b>	Sustained	150 KB/s (1X, using audio disc)	
		Variable	3,000 to 7,200 KB/s	
	<b>Cache Buffer</b>	128 KB minimum		
	<b>Start-up Time (typical)</b>	< 7 s		
	<b>Stop Time</b>	< 4 s		
	<b>Operating Conditions</b>	Temperature	41° to 113°F/5° to 45°C	
		Humidity	10% to 80%	
	<b>Dimensions</b>	(HxWxD, maximum)	1.7 x 5.9 x 8.19 in/4.29 x 15 x 20.8 cm	
		Weight	2.65 lbs/1.2 kg	

### Technical Specifications

<b>10X/40X DVD-ROM Drive</b>	<b>Disk</b>	Applicable Disk	DVD-ROM, DVD-video, DVD-R, Photo-CD/multisession, CD-ROM, CD-TEXT, Audio CD, CD-I, CD-RW, CD-R, CD-DA, Video CD, CD EXTRA, CD-XA, MPEG, MPC Level 2	
		Capacity	540 MB (Mode 1, 12 cm) 650 MB (Mode 2, 12 cm)	
		Rotational Speed	8,750 maximum	
		Diameter	4.7 in, 3.15 in/12 cm, 8 cm	
		Center Hole	0.6 in/15 mm diameter	
		Thickness	0.05 in/1.2 mm	
		Track Pitch	1.6 $\mu$ m CD-ROM 0.74 $\mu$ m DVD	
		<b>Block Size</b>	Mode 0	2,352 bytes
			Mode 1	2,352, 2,340, 2,336, 2,048 bytes
			Mode 2	2,352, 2,340, 2,336, 2,048 bytes
		DVD	2048 bytes	
	<b>Interface</b>	IDE		
	<b>Access Times (typical)</b>	Random	110 ms DVD; 80 ms CD-ROM	
		Full-Stroke	240 ms DVD; 160 ms CD-ROM	
	<b>Audio Output Level</b>	Line-Out	0.7 VRMS	
	<b>Data Transfer Rate</b>	Variable	5.6 MB/s to 13.5 MB/s DVD, 2.55 MB/s to 6 MB/s CD-ROM	
	<b>Cache Buffer</b>		512 KB	
	<b>Start-up Time (typical)</b>		3 s DVD, 5 s CD-ROM	
	<b>Stop Time</b>		3 s DVD, 5 s CD-ROM	
	<b>Operating Conditions</b>	Temperature	41° to 113°F/5° to 45°C	
		Humidity	5% to 85%	
	<b>Dimensions</b>	(HxWxD, maximum)	1.7 x 5.9 x 8.18 in/4.29 x 15 x 20.8 cm	
		Weight	2.22 lbs/1 kg	

### Technical Specifications

<b>Compaq Premier•Sound</b> featuring AC'97 Audio	<b>Type</b>	Embedded AC'97 2.1 Codec		
	<b>Sound Quality</b>	16-Bit Stereo Full-Duplex (CD Quality)		
	<b>Sampling</b>	Variable 7 kHz to 48 kHz		
	<b>Audio Compression/Decompression</b>	ESPCM and ADPCM compression		
	<b>Full Scale Input Voltage (RMS)</b>	Microphone Input	100 mVolts	
		Line Input	2.2 Volts	
	<b>Full Scale Output Voltage (RMS)</b>	Line Output	1.4 Volts	
	<b>Impedance (nominal)</b>	Line Output	800 ohms (typical)	
		Line Input	10 Kohms (typical)	
	<b>Playback (PC-D-A)</b>	Dynamic Range	-91 dB (typical)	
		Total Harmonic Distortion + Noise	-69 dB (typical)	
		Frequency Response (-3 dB)	20 Hz to 20 kHz	
	<b>Line Output Crosstalk (10 kHz)</b>	-74 dB		
	<b>Headphone Maximum Output (1 kHz)</b>	60 mWrms into 32 ohms (THD+N < 1%)		
	<b>Internal Power Amplifier Rating</b>	Nominal: 1.5 Watts RMS @ 8 ohms		
Maximum: 5 Watts RMS @ 8 ohms				
<b>Speaker</b>	Frequency Response	200 Hz to 15 kHz		
	Equalizer	5 stages of fixed equalization		
	Design	High-performance, infinite baffle loudspeaker		
<b>Connectors</b>	Line-in, line-out, microphone-in, headphone-out			
<b>Operating System Driver Support</b>	Windows NT 4.0, Windows 98, Windows 2000			

### Technical Specifications

Intel PRO/100+ Management Adapter	Network Interface	10Base-T or 100Base-TX		
	Expansion Bus Architecture	PCI 2.2		
	Network Transfer Rate	10Base-T (Half-Duplex)	10 Mb/s	
		10Base-T (Full-Duplex)	20 Mb/s	
		100Base-TX (Half-Duplex)	100 Mb/s	
		100Base-TX (Full-Duplex)	200 Mb/s	
	Connectors	RJ-45		
	Standards Compliance	10-Mb/s Ethernet	IEEE 802.3	
		100-Mb/s Ethernet	IEEE 802.3u	
	I/O Address	Auto-configured		
	Remote Wakeup	Yes		
	Operating Temperature	0° to 55°F/10° to 35°C		
	Operating Humidity (non-condensing)	85% at 131°F/55°C		
	Operating Altitude	10,000 ft/3,048 m		
	Communication Processor	Intel 82559		
OS Driver Support	Windows NT 4.0	NDIS 3.0, 4.0 Compliant		
	Windows 98, 2000	NDIS 3.0, 4.0, 5.0 Compliant		
	Novell NetWare Server v. 3.x, 4.x and 5.0	ODI Compliant		
	SunSoft Solaris™	Not supported		
	SCO UnixWare, OpenDesktop, OpenServer	Supported		

### Technical Specifications

<b>Compaq NVIDIA TNT2 Pro Graphics Controller</b>	<b>Form Factor</b>	1/2 size ATX
	<b>Bus Type</b>	AGP 4X/2X with full sideband support
	<b>Memory Support</b>	16-MB SGRAM (frame buffer), 166 MHz
	<b>RAMDAC</b>	300 MHz
	<b>Data Path</b>	128-bit
	<b>Process</b>	0.25u
	<b>Internal Clock</b>	142 MHz
	<b>Memory Clock</b>	166 MHz
	<b>Pipelines</b>	2 (bilinear)
	<b>Fill Rate</b>	333 M pix/s
	<b>Triangle Rate</b>	8 M Tri/s
	<b>Video Overlay Filter</b>	2 x 2
	<b>Color Space Conversion</b>	Yes
	<b>Scaling</b>	Yes
	<b>Feature Connector</b>	VIP connector
	<b>Quick Draw Support</b>	Yes
	<b>DCI &amp; DirectX Video Playback</b>	Yes
	<b>MS Direct X Support</b>	Yes
	<b>3D Support</b>	Yes
	<b>Engine Acceleration</b>	Basic Video Color Conversion and Scaling 100% Hardware Triangle Setup Engine
	<b>OS Support</b>	Windows 98, Windows 2000, Windows NT 4.0
	<b>Other</b>	Optimized for Direct3D acceleration with support for DirectX 5.0 and 6.0 128-bit Twin-Textel (TNT) architecture 2 texture mapped, lit pixels per clock Single-pass, multi-texture rendering 32-bit rendering with destination alpha 24-bit Z-buffer, 8-bit stencil buffer Anisotropic filtering (better than Tri-Linear MIP-mapping) High-performance 128-bit 2D/GUI/DirectDraw Acceleration. Transparent BLT, stretch BLT, points, lines, polylines, polygons, fills, patterns, arbitrary clipping and fast text rendering; pipe-line optimized for multiple color depths including 8, 16, and 24 bits per pixel Video acceleration for DirectShow™, MPEG-1, MPEG-2 and Indeo® Fast 32-bit VGA/SVGA 128-bit frame buffer interface - 2.6 Gb/s bandwidth Triple 8-bit , 250-MHz Palette DAC Bi-directional Media Port and CCIR-656 Video Capture Port (for AIB only)

### Technical Specifications

Compaq NVIDIA TNT2 Pro Graphics Controller <i>(continued)</i>	Resolutions Supported	Colors	Real-Time 3D Gouraud Shading	Refresh Rates
	1800 x 1440	256, 65K, 16.7M	65K	60 to 70 Hz (vertical sync), 89 to 104 kHz (horizontal sync)
	1920 x 1200	256, 65K, 16.7M	256, 65K	60 to 76 Hz (vertical sync), 75 to 95 kHz (horizontal sync)
	1920 x 1080	256, 65K, 16.7M	256	60 to 80 Hz (vertical sync), 70 to 94 kHz (horizontal sync)
	1600 x 1200	256, 65K, 16.7M	256	60 to 90 Hz (vertical sync), 75 to 113 kHz (horizontal sync)
	1280 x 1024	256, 65K, 16.7M	256, 65K	60 to 100 Hz (vertical sync), 64 to 107 kHz (horizontal sync)
	1152 x 864	256, 65K, 16.7M	256, 65K	60 to 120 Hz (vertical sync), 54 to 110 kHz (horizontal sync)
	1024 x 768	256, 65K, 16.7M	256, 65K, 16.7M	60 to 140 Hz (vertical sync), 48 to 113 kHz (horizontal sync)
	800 x 600	256, 65K, 16.7M	256, 65K, 16.7M	60 to 200 Hz (vertical sync), 38 to 114 kHz (horizontal sync)
	640 x 480	256, 65K, 16.7M	256, 65K, 16.7M	60 to 200 Hz (vertical sync), 31 to 102 kHz (horizontal sync)

### Technical Specifications

NVIDIA Quadro2 Pro Graphics Controller	<b>3D/2D Controller</b>	Integrated Quadro2 Pro 2D/3D 128-bit graphics processor unit (GPU)		
	<b>VGA Controller</b>	Integrated into the Quadro2 Pro GPU		
	<b>Bus type</b>	AGP4x		
	<b>RAMDAC</b>	350 MHz		
	<b>Memory type</b>	400 MHz 4Mx16DDR-5ns		
	<b>Memory amount</b>	64 MB		
	<b>Memory Speed</b>	400 MHz (DDR)		
	<b>Controller clock speed</b>	250 MHz		
	<b>Color planes</b>	32-bit color buffer		
	<b>Overlay planes</b>	1 16-bit Video overlay plane, software emulation for OpenGL overlay planes		
	<b>Stencil planes</b>	8-bit stencil buffer		
	<b>Alpha planes</b>	8-bit alpha buffer		
	<b>Z-buffer</b>	24-bit		
	<b>Total bits/pixel</b>	64		
	<b>Maximum vertical refresh rate</b>	240 Hz		
	<b>Maximum pixel clock</b>	350 MHz		
	<b>Multi-display support</b>	No		
	<b>Operating systems</b>	Microsoft Windows 2000, Windows NT 4.0 available from Compaq		
	<b>Resolution</b>	<b>Maximum Colors Supported</b>	<b>Maximum Refresh Rate</b>	<b>Memory Dedicated to Texture Support</b>
	640 x 480	16.7 M	240 Hz	60.4 MB
800 x 600	16.7 M	240 Hz	58.4 MB	
1024 x 768	16.7 M	240 Hz	54.8 MB	
1152 x 864	16.7 M	200 Hz	52.3 MB	
1280 x 1024	16.7 M	150 Hz	48.6 MB	
1600 x 1000	64 K	120 Hz	54.6 MB	
1600 x 1000	16.7 M	120 Hz	45.3 MB	
1600 x 1200	64 K	100 Hz	52.8 MB	
1600 x 1200	16.7 M	100 Hz	41.5 MB	
1600 x 1280	64 K	100 Hz	52 MB	
1600 x 1280	16.7 M	100 Hz	40 MB	
1920 x 1080	64 K	85 Hz	51.9 MB	
1920 x 1080	16.7 M	85 Hz	39.7 MB	
1920 x 1200	64 K	85 Hz	50.5 MB	
1920 x 1200	16.7 M	85 Hz	37 MB	

### Technical Specifications

<b>Matrox Millennium G450 Graphics Controllers</b>	<b>Form Factor</b>	ATX																									
	<b>Bus Type</b>	AGP 1X, 2X, 4X: PCI rev 2.2 bus specification																									
	<b>Standard Memory</b>	AGP: 32 MB / PCI: 16 MB																									
	<b>DAC Speed</b>	360 MHz (secondary DAC: 200 MHz)																									
	<b>Data Path</b>	64-bit DDR External/256-bit Internal																									
	<b>Internal Bus Width</b>	256-bit DualBus																									
	<b>Memory Interface</b>	64-bit DDR Memory																									
	<b>Frame Buffer</b>	AGP: 32 MB / PCI: 16 MB																									
	<b>Two Integrated RAMDACs</b>	Yes																									
	<b>Engine Acceleration</b>	3 ROP bitBLT, line draw, text, color expansion, basic video color conversion and scaling, triangle setup engine																									
	<b>Output</b>	Analog, 2 ports																									
	<b>OS Support</b>	Microsoft Windows 2000, Windows 98 and Windows NT 4.0 available from Compaq.																									
	<b>Other</b>	PCI bus mastering, texture mapping support, flat and Gouraud shading, direct 3D support, Anisotropic Filter, perspective texture, specular highlighting, wireframe, dithering, full scene anti-aliasing, vertex fog, dual texture mapping, Plug-and-Play AGP 2X and AGP 4X, 0.18-micron technology (lower heat/power consumption), high-quality DVD playback with full access to Windows, Color Space Conversion, Quick Draw support, DCI and DirectX video playback, MS DirectDraw support																									
	<b>3D Features</b>	<table border="0"> <tr> <td>Single-cycle multi-texturing</td> <td>Yes</td> </tr> <tr> <td>Environment-Mapped Bump Mapping</td> <td>Yes</td> </tr> <tr> <td>Internal Rendering</td> <td>32-bit</td> </tr> <tr> <td>Source Textures</td> <td>Up to 32-bit</td> </tr> <tr> <td>Maximum Texture Size</td> <td>2048 X 2048</td> </tr> <tr> <td>Hardware non-power-of- 2 textures</td> <td>Yes</td> </tr> <tr> <td>32-bit Color Output</td> <td>Yes</td> </tr> <tr> <td>32-bit Independent Z-buffer</td> <td>Yes</td> </tr> <tr> <td>Stencil Buffering</td> <td>Yes</td> </tr> <tr> <td>AGP Texturing</td> <td>Yes</td> </tr> <tr> <td>Trilinear Filtering</td> <td>Yes</td> </tr> <tr> <td>DirectX Support</td> <td>Yes</td> </tr> <tr> <td>OpenGL Support</td> <td>Yes</td> </tr> </table>	Single-cycle multi-texturing	Yes	Environment-Mapped Bump Mapping	Yes	Internal Rendering	32-bit	Source Textures	Up to 32-bit	Maximum Texture Size	2048 X 2048	Hardware non-power-of- 2 textures	Yes	32-bit Color Output	Yes	32-bit Independent Z-buffer	Yes	Stencil Buffering	Yes	AGP Texturing	Yes	Trilinear Filtering	Yes	DirectX Support	Yes	OpenGL Support
Single-cycle multi-texturing	Yes																										
Environment-Mapped Bump Mapping	Yes																										
Internal Rendering	32-bit																										
Source Textures	Up to 32-bit																										
Maximum Texture Size	2048 X 2048																										
Hardware non-power-of- 2 textures	Yes																										
32-bit Color Output	Yes																										
32-bit Independent Z-buffer	Yes																										
Stencil Buffering	Yes																										
AGP Texturing	Yes																										
Trilinear Filtering	Yes																										
DirectX Support	Yes																										
OpenGL Support	Yes																										
<b>DualHead Display Features</b>	Multi-Display Mode, DVD Max Mode, DualHead Zoom Mode, DualHead Clone Mode, DualHead TV Output Mode, Single Chip Multi-Monitor Support																										

### Technical Specifications

#### Matrox Millennium G450 Graphics Controllers (continued)

#### Supported Modes

This list assumes setup to be DualHead multi-display running Microsoft Windows 98. If using Windows NT 4.0 or Windows 2000 while in multi-display, primary CRT is limited to modes supported by 2nd CRT.

<i>Primary CRT Color Depths</i>	<i>Color Depths (bpp)</i>	<i>Refresh Rates</i>
640 x 480	8, 16, 24, 32	60 Hz, 72 Hz, 75 Hz, 85 Hz
800 x 600	8, 16, 24, 32	60 Hz, 72 Hz, 75 Hz, 85 Hz
1024 x 768	8, 16, 24, 32	60 Hz, 70 Hz, 75 Hz, 85 Hz
1152 x 864	8, 16, 24, 32	75 Hz
1280 x 960	8, 16, 24, 32	60 Hz, 75 Hz, 85 Hz
1280 x 1024	8, 16, 24, 32	60 Hz, 75 Hz, 85 Hz
1600 x 1200	8, 16, 24, 32	60 Hz, 65 Hz, 70 Hz, 75 Hz, 85 Hz
1800 x 1440	8, 16, 24	60 Hz, 72 Hz, 75 Hz, 85 Hz
1856 x 1392	8, 16, 24	60 Hz, 75 Hz, 85 Hz
1920 x 1440	8, 16, 24	60 Hz, 75 Hz, 85 Hz
2048 X 768	8, 16	60 Hz, 75 Hz
<i>Secondary CRT Color Depths</i>	<i>Color Depths (bpp)</i>	<i>Refresh Rates</i>
640 x 480	16, 32	60 Hz, 72 Hz, 75 Hz, 85 Hz
800 x 600	16, 32	60 Hz, 72 Hz, 75 Hz, 85 Hz
1024 x 768	16, 32	60 Hz, 70 Hz, 75 Hz, 85 Hz
1152 x 864	16, 32	75 Hz
1280 x 960	16, 32	60 Hz, 75 Hz, 85 Hz
1280 x 1024	16, 32	60 Hz, 75 Hz, 85 Hz
1600 x 1200	16, 32	60 Hz, 65 Hz, 70 Hz, 75 Hz, 85 Hz

### Technical Specifications

<b>Matrox G200 Quad Multi-Monitor Series (MMS) Graphics Controller</b>	<b>Dimensions (HxW)</b>	4.5x8 in/11.43x20.32 cm		
	<b>Refresh Rate (per display)</b>			
	<b>Aspect Ratio</b>	<b>Resolution</b>	<b>Vertical</b>	<b>Horizontal</b>
	4:3/5:4	640 x 480	60 to 200 Hz	31 to 102 kHz
		800 x 600	60 to 200 Hz	38 to 114 kHz
		1024 x 768	60 to 140 Hz	48 to 113 kHz
		1152 x 864	60 to 120 Hz	54 to 110 kHz
		1280 x 1024	60 to 100 Hz	64 to 107 kHz
		1600 x 1200	60 to 90 Hz	75 to 113 kHz
	16:9/16:10	1800 x 1440	60 to 70 Hz	89 to 104 kHz
856 x 480		60 to 200 Hz	30 to 108 kHz	
1280 x 720		60 to 100 Hz	44 to 76 kHz	
1600 x 1024		60 to 100 Hz	64 to 108 kHz	
1920 x 1080		60 to 80 Hz	70 to 94 kHz	
1920 x 1200	60 to 76 Hz	75 to 95 kHz		
With DVI digital flat panel displays, the maximum display resolution is 1280 x 1024.				
Maximum refresh rates may not be attainable at the highest display resolutions with 24 or 32-bit color palettes.				
<b>Interface</b>	PCI			
<b>Standard Memory</b>	32-MB SGRAM (8 MB per port)			
<b>DAC Speed</b>	250 MHz			
<b>Data Path</b>	128-bit Internal/64-bit External			
<b>Color Space Conversion</b>	Yes			
<b>Scaling</b>	Yes			
<b>Quick Draw Support</b>	Yes			
<b>DCI &amp; DirectX Video Playback</b>	Yes			
<b>Direct3D Support</b>	Yes			
<b>Engine Acceleration</b>	3 ROP bitBLT, Line Draw, Text, Color Expansion, Basic Video Color Conversion and Scaling, Triangle Setup Engine			
<b>Output</b>	Two output ports, which require 2 adapter cables to connect analog or digital output displays			
	Analog Display Support	2 RGB cables support two DB-15 analog displays per cable		
	DVI (Digital Visual Interface) Display Support	DVI cable option kit provides two DVI cables for connecting two DVI compliant displays per cable		
	Display options supported	Four analog displays via two RGB cables Four DVI displays via two DVI cables Two analog displays via one RGB cable and two DVI displays via one DVI cable		
<b>Other</b>	PCI bus-mastering, texture mapping support, flat and Gouraud shading, Anisotropic Filter, perspective texture, specular highlighting, dithering, full scene anti-aliasing, Vertex fog			
<b>OS Support</b>	Windows 2000 (not available for Chinese, Taiwanese, or Korean languages) and Windows NT 4.0			

### Technical Specifications

<b>ELSA Synergy II Graphics Controller</b>	<b>Dimensions (HxW)</b>	3.25 x 6.25 in/8.3 x 15.9 cm		
	<b>Resolution</b>	<b>Maximum Colors Supported</b>	<b>Maximum Refresh Rate</b>	<b>Memory Dedicated to Texture Support</b>
	640 x 480	16.7M	120 Hz	29.1 MB
	800 x 600	16.7M	120 Hz	27.1 MB
	1024 x 768	16.7M	120 Hz	23.5 MB
	1152 x 864	16.7M	120 Hz	21.1 MB
	1280 x 1024	16.7M	120 Hz	17.9 MB
	1600 x 1000	16.7M	75 Hz	14 MB
	1600 x 1000	65K	85 Hz	14 MB
	1600 x 1200	16.7M	75 Hz	10.2 MB
	1600 x 1200	65K	85 Hz	10.2 MB
	1600 x 1280	16.7M	75 Hz	8.7 MB
	1600 x 1280	65K	85 Hz	8.7 MB
	1920 x 1080	16.7M	75 Hz	8.4 MB
	1920 x 1080	65K	85 Hz	8.4 MB
	1920 x 1200	16.7M	75 Hz	5.7 MB
	1920 x 1200	65K	75 Hz	5.7 MB
<b>3D/2D Controller</b>	Nvidia TNT 2			
<b>VGA Controller</b>	Integrated			
<b>Bus Type</b>	AGP 2X/4X			
<b>RAMDAC</b>	Integrated 300 MHz			
<b>Memory Type</b>	SDRAM			
<b>Memory Amount</b>	32 MB (Maximum)			
<b>Memory Speed</b>	143 MHz			
<b>Controller Clock Speed</b>	125 MHz			
<b>Color Planes</b>	24 bits double buffered			
<b>Overlay Planes</b>	0			
<b>Stencil Planes</b>	8 bit			
<b>Alpha Planes</b>	0			
<b>Z-buffer</b>	24 bit			
<b>Total bits/pixel</b>	96			
<b>Maximum Vertical Refresh Rate</b>	120 Hz			
<b>Maximum Pixel Clock</b>	300 MHz			
<b>Multi-display Support</b>	No			
<b>Operating Systems</b>	Windows 2000, Windows NT 4.0, Windows 98			

Note: All drivers and enhanced software, including *POWERdraft*, *ELSAview*, and *MAXtreme*, can be found on the Compaq Web site at: [www.compaq.com/support/files/workstations/us/index.html](http://www.compaq.com/support/files/workstations/us/index.html).

### Technical Specifications

<b>NVIDIA Quadro2 MXR Graphics Controller</b>	<b>Dimensions (LxHxW)</b>	Approximately 6.5 x 3.8 x 0.6 in/16.51 x 9.65 x 1.52 cm		
	<b>Resolution</b>	<b>Maximum Colors Supported</b>	<b>Maximum Refresh Rate</b>	<b>Memory Dedicated to Texture Support</b>
	640 x 480	16.7 M	240 Hz	28.4 MB
	800 x 600	16.7 M	240 Hz	26.4 MB
	1024 x 768	16.7 M	200 Hz	22.8 MB
	1152 x 864	16.7 M	170 Hz	20.3 MB
	1280 x 1024	16.7 M	150 Hz	16.6 MB
	1600 x 1000	64 K	120 Hz	22.6 MB
	1600 x 1000	16.7 M	120 Hz	13.3 MB
	1600 x 1200	64 K	100 Hz	20.8 MB
	1600 x 1200	16.7 M	100 Hz	9.5 MB
	1600 x 1280	64 K	100 Hz	20 MB
	1600 x 1280	16.7 M	100 Hz	8 MB
	1920 x 1080	64 K	85 Hz	19.9 MB
	1920 x 1080	16.7 M	85 Hz	7.7 MB
	1920 x 1200	64 K	85 Hz	18.5 MB
	1920 x 1200	16.7 M	85 Hz	5 MB
<b>3D/2D Controller</b>	Integrated Quadro2 MXR 2D/3D 128-bit graphics processor unit (GPU)			
<b>VGA Controller</b>	Integrated into the Quadro2 MXR GPU			
<b>Bus Type</b>	AGP 2X, 4X Graphics Bus			
<b>RAMDAC</b>	350 MHz			
<b>Memory Type</b>	183 MHz SDR 2Mx32			
<b>Memory Amount</b>	32 MB			
<b>Memory Speed</b>	183 MHz			
<b>Controller Clock Speed</b>	200 MHz			
<b>Color Planes</b>	32-bit color buffer			
<b>Overlay Planes</b>	1 16-bit Video overlay plane, software emulation for OpenGL overlay planes			
<b>Stencil Planes</b>	8-bit stencil buffer			
<b>Alpha Planes</b>	8-bit alpha buffer			
<b>Z-buffer</b>	24-bit Z buffer			
<b>Total bits/pixel</b>	64-bits			
<b>Maximum Vertical Refresh Rate</b>	240 Hz			
<b>Maximum Pixel Clock</b>	350 MHz			
<b>Multi-display support</b>	Yes			
<b>Operating Systems</b>	Microsoft® Windows® 2000, Windows NT 4.0 available from Compaq			

### Technical Specifications

<b>ELSA GLoria II Graphics Controller</b>	<b>Dimensions (H x W)</b>	3.25 x 6.25 in/8.3 x 15.9 cm		
	<b>Resolution</b>	<b>Maximum Colors Supported</b>	<b>Maximum Refresh Rate</b>	<b>Memory Dedicated to Texture Support</b>
	640 x 480	16.7M	120 Hz	60 MB
	800 x 600	16.7M	120 Hz	58 MB
	1024 x 768	16.7M	120 Hz	54 MB
	1152 x 864	16.7M	100 Hz	52 MB
	1280 x 800	16.7M	100 Hz	52 MB
	1280 x 960	16.7M	100 Hz	49 MB
	1280 x 1024	16.7M	100 Hz	48 MB
	1600 x 1000	16.7M	100 Hz*	45 MB
	1600 x 1000	16.7M	85 Hz	45 MB
	1600 x 1200	16.7M	85 Hz	41 MB
	1600 x 1280	16.7M	85 Hz*	40 MB
	1600 x 1280	16.7M	75 Hz	40 MB
	1920 x 1080	16.7M	85 Hz*	39 MB
	1920 x 1080	16.7M	75 Hz	39 MB
	1920 x 1200	16.7M	85 Hz*	37 MB
	1920 x 1200	16.7M	75 Hz	37 MB
	2048 x 1536	16.7M	75 Hz*	27 MB
*Refresh rate may function but may not officially be supported by Compaq monitors.				
<b>3D/ Controller</b>	NVIDIA Quadro			
<b>VGA Controller</b>	Integrated			
<b>Bus Type</b>	AGP 2X/4X			
<b>RAMDAC</b>	Integrated 350 MHz			
<b>Memory Type</b>	SDRAM			
<b>Memory Amount</b>	64 MB (unified)			
<b>Memory Speed</b>	166 MHz			
<b>Controller Clock Speed</b>	135 MHz			
<b>Color Planes</b>	24-bit double buffered			
<b>Overlay Planes</b>	8-bit double buffered			
<b>Stencil Planes</b>	8 bit			
<b>Alpha Planes</b>	8-bit double buffered			
<b>Z-buffer</b>	24 bit			
<b>Total bits/pixel</b>	112			
<b>Maximum Vertical Refresh Rate</b>	132 Hz			
<b>Maximum Pixel Clock</b>	350 MHz			
<b>Multi-display support</b>	No			
<b>Stereo support</b>	Yes			
<b>Operating Systems</b>	Windows 2000/Windows NT 4.0			

### Technical Specifications

<b>Intense3D Wildcat 4210 Graphics Controller</b>	<b>Dimensions (HxW)</b>	4.25 x 13.5 in/10.795 x 34.29 cm			
	<b>Resolutions Supported</b>	The following tables show the highest resolutions and corresponding highest refresh rates supported for the 4210 without multi-sampling. Resolutions higher than 1280 x 1024 are supported only for analog CRT monitors. Digital Flat Panel monitor support is limited to 112 Mpix/s, equating to a maximum Digital Flat Panel resolution of 1280 x 1024 at 60 Hz.			
	<b>Aspect Ratio</b>	<b>96 bits per pixel</b>	<b>128 bits per pixel</b>	<b>160 bits per pixel</b>	<b>192 bits per pixel</b>
	4 x 3	1920 x 1440 (60 Hz)	1920 x 1440 (60 Hz)	1920 x 1440 (60 Hz)	1920 x 1440 (60 Hz)
	5 x 4	1600 x 1280 (76 Hz)	1600 x 1280 (76 Hz)	1600 x 1280 (76 Hz)	1600 x 1280 (76 Hz)
	16 x 9	2048 x 1152 (75 Hz)	2048 x 1152 (75 Hz)	2048 x 1152 (75 Hz)	2048 x 1152 (75 Hz)
	16 x 10	1920 x 1200 (75 Hz)	1920 x 1200 (75 Hz)	1920 x 1200 (75 Hz)	1920 x 1200 (75 Hz)
	5 x 4 Frame Sequential Stereo	1280 x 1024 (60 Hz)	1280 x 1024 (60Hz)	1280 x 1024 (52 Hz)	1280 x 1024 (52 Hz)
	4 x 3 Frame Sequential Stereo	1280 x 960 (60 Hz)	1280 x 960 (60 Hz)	1280 x 960 (60 Hz)	1280 x 960 (60 Hz)
	<b>Supported Plane Sets</b>				
	Buffer	96 bits per pixel mode	128 bits per pixel mode	160 bits per pixel mode	192 bits per pixel mode
	Image Planes	24-bit double buffered	24-bit double buffered	24-bit double buffered	24-bit double buffered
	Z-Buffer	24-bit	32-bit	24-bit	32-bit
	Overlay	4-bit (max), double buffered	8-bit (max), double buffered	4-bit (max), double buffered	8-bit (max), double buffered
	Stencil Planes	8-bit (max)	8-bit (max)	8-bit (max)	8-bit (max)
	Alpha Planes	0	8-bit double buffered	0	8-bit double buffered
	Mask	2-bit	2-bit	2-bit	4-bit
	Accumulation Buffer	0	0	64-bit	64-bit
	Fast Clear Buffer	1-bit double buffered	1-bit double buffered	1-bit double buffered	1-bit double buffered
	<b>Vertical Frequency</b>	60 to 85 Hz			
	<b>Graphics Controller</b>	Intense3D ParaScale™ architecture with single geometry accelerator and rendering engines			
	<b>Bus Type</b>	AGP Pro 110			
	<b>RAMDAC</b>	250 MHz			
	<b>Memory Type</b>	SDRAM			
	<b>Memory Amount</b>	128-MB frame buffer and 128-MB texture memory, and 32-MB DirectBurst			
	<b>Memory Speed</b>	143-MHz frame buffer and texture buffer, 133-MHz Direct Burst Memory			
	<b>Data Path</b>	256-bit frame buffer, 128-bit texture buffer, 64-bit DirectBurst			
	<b>Controller Clock Speed</b>	147-MHz geometry			
	<b>Maximum Vertical Refresh Rate</b>	85 Hz			
	<b>Maximum Pixel Clock</b>	250 MHz			
	<b>Stereographic Support</b>	Yes			
	<b>External Interfaces</b>	Two DVI-I Digital Video Output Ports, Stereo Port, Genlock Port 750hm BNC Male connector, Multiview In port, and a Multiview Out port			
	<b>Operating System Support</b>	Windows 2000/Windows NT 4.0			

Compaq PCs use genuine Microsoft® Windows®

[www.microsoft.com/piracy/howtotell](http://www.microsoft.com/piracy/howtotell)

Microsoft and Windows are trademarks of Microsoft Corporation in the U.S. and other countries.