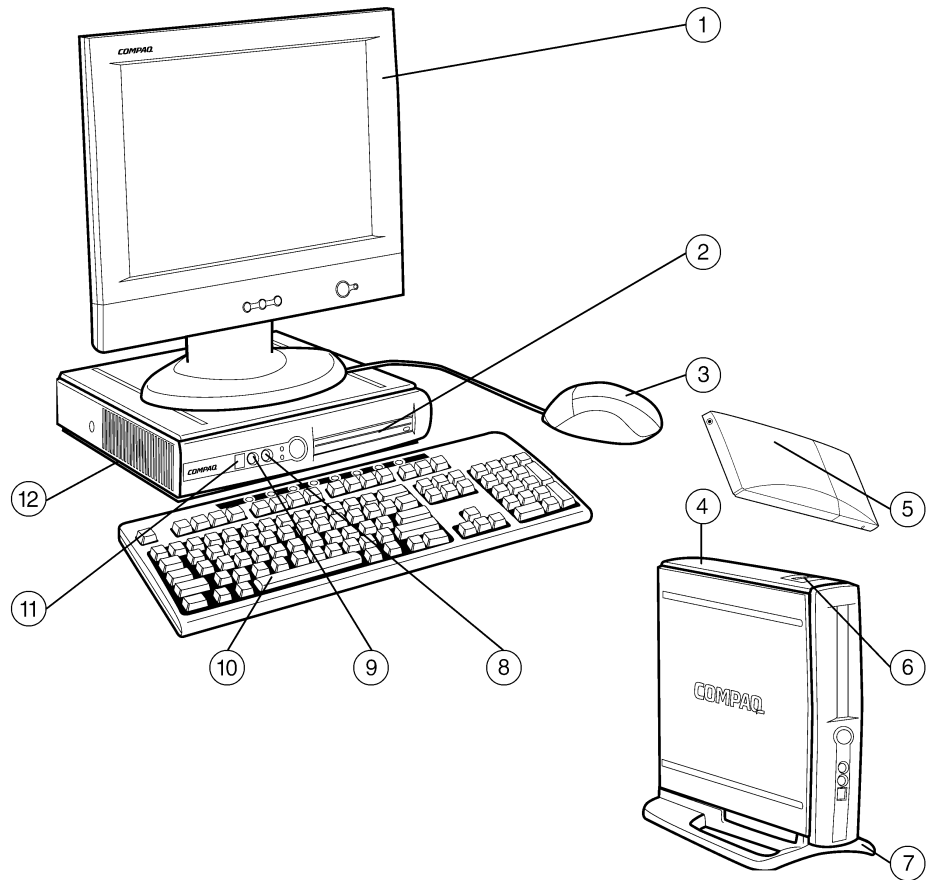


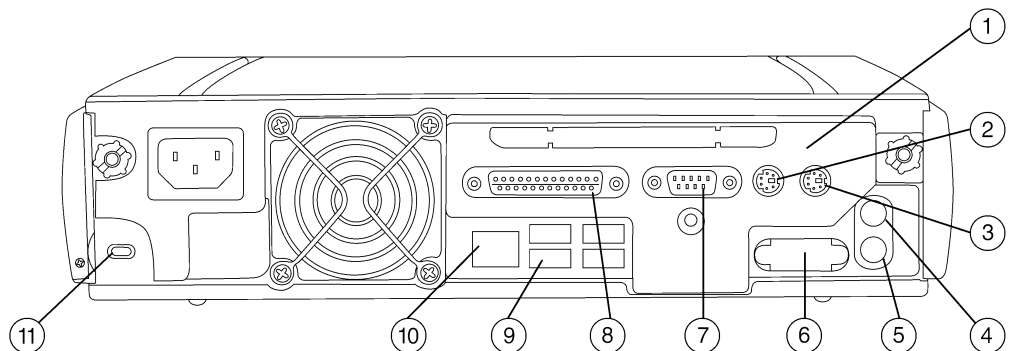
Overview

At A Glance

- The Compaq *Evo*™ D500 Ultra-slim Desktop is an innovative combination of features, flexibility and manageability for today's IT environment.
- The *Evo* D500 Ultra-slim Desktop is available standard in a legacy-free configuration with the flexibility to add an optional snap-on legacy module (with serial, parallel and PS/2 ports).
- The *Evo* D500 Ultra-slim Desktop features Windows 2000, Windows XP Professional or Windows XP Home; one front USB and 4 rear USB ports for the new wave of USB peripherals.
- The MultiPort solution from Compaq is a standard interface on the *Evo* D500 Ultra-slim Desktop. Integrated MultiPort technology expands functionality via a user removable MultiPort module providing integrated wireless communication capabilities and enhanced security features.
- Order the D500 Ultra-slim Desktop directly from Compaq at <http://www.compaq.com/products/desktops>
Note: This Web site is available in English only.
- The *Evo* D500 Ultra-slim Desktop delivers ease of deployment, support, and usability, by eliminating ISA/PCI slots and focusing on USB.
- Compaq Intelligent Manageability provides solutions for remote cloning, deployment, installation, configuration, and backup/restore; single-click scheduling for all management tasks, and powerful brokering agents to handle requests automatically and communicate status to the management console.
- Innovative Compaq MultiBay technology enables hot-swapping of slimline CD-ROM, DVD-ROM, CD-RW, 1.44 MB floppy drive, and hard drives, without the need to reboot. The breakthrough industrial design features a sleek, small footprint, leaving the user more workspace.
- Protected by Compaq Services, including a limited three-year warranty for parts and onsite labor — Certain restrictions and exclusions apply. Consult the Compaq Customer Support Center for details.



- | | |
|------------------------------------------|-------------------------------------|
| 1. Compaq TFT 5015 Flat Panel (optional) | 7. Standard Tower Stand |
| 2. MultiBay | 8. Headphone Input |
| 3. 2-Button USB Scroll Mouse | 9. Microphone Input |
| 4. MultiPort Connector | 10. USB Easy Access Carbon Keyboard |
| 5. MultiPort Module | 11. 1 USB Port |
| 6. MultiBay Eject Mechanism | 12. Premium Internal Speaker |



- | | |
|---------------------------|---------------------|
| 1. Optional Legacy Module | 7. Serial Port |
| 2. PS/2 (Mouse) | 8. Parallel Port |
| 3. PS/2 (Keyboard) | 9. USB Ports |
| 4. Audio Line In | 10. RJ-45 LAN |
| 5. Audio Line Out | 11. Kensington Lock |
| 6. VGA | |

Standard Features

Processor	Intel™ Celeron™ 1.3 GHz with 100MHz FSB	
Network Controller	Integrated Intel 10/100 Network Connection	
Cache Memory <i>One of the following:</i>	256K Integrated L2 Cache (Celeron models)	
Memory <i>One of the following:</i>	Standard	128-MB SDRAM (PC 133)
	Maximum	512-MB SDRAM
Storage	Internal Hard Drive	Smart III Ultra ATA 100 – 20GB, Smart III Ultra ATA 100 – 40MB (CTO Only)
Audio	Integrated Intel Audio with Premium Internal Speaker	
Graphics	Integrated Intel 3D Direct AGP Graphics 4MB video cache option	
Front Interfaces	USB	1
	Microphone	1
	Headphone	1
Rear Interfaces	VGA	1
	USB Easy Access Keyboard	1
	USB Easy Access Mouse	1
	RJ-45 (LAN)	1
	Line In	1
	Line-out	1
	Legacy Connector	1
Legacy Module Interfaces	Parallel	1
	Serial	1
	PS/2 Easy Access Keyboard	1
	PS/2 Easy Access Mouse	1
Power Conservation 'Energy Saver'	Energy Star Compliant Instantly Available PC Compliant Suspend to RAM APM Support Screen Blanking Hard Disk 'Idle' Mode Clock Slow Down System Idle Mode Cache Memory Power-Down CD-ROM and Audio Board Support Power-Down	
Computer Setup Utility	Diagnostics for Windows – preloaded	
Boot Support	Local MultiBay and USB Diskette Boot Network Service Boot (PXE) – with appropriate NIC	

Standard Features

Initial Configuration and Deployment	Remote System Installation	No (DMI 2.0 compliant)
	Replicated Setup	No (DMI 2.0 compliant)
	Compaq OS Restore CD	Yes
Asset Control	Asset Tag	Yes
	DIMM Serial Presence Detect	Yes
	Hard drive serial number, model & manufacturer	Yes
	Monitor serial number, model & manufacturer	Yes
	System serial number, model & manufacturer	Yes
	ROM revision levels	Yes
	System board revision level	No
	Compaq Fingerprint Identification	Optional
	DMI BIOS	Yes
	Memory Change Alert	Yes
	Ownership Tag	Yes
	Smart Cover Lock	No
	Kensington Lock Support	Yes
	Compaq Lock Bracket Support	No
Smart Cover Sensor	No	
Standard Security Features	Boot Integrity Services (BIS) – Secure PXE	
	Master Boot Record Security	
	Power-On Password	
	Serial, Parallel & USB Port Control	
	Removable Media Write / Boot Control – with supported devices	
	Setup Password	
Software Updating and Management	Remote Security Management - supported in BIOS	
	Remote ROM Flash – supported in BIOS	
	Remote Wakeup / Remote Shutdown – Wake-on-LAN supported via NIC	
	ROM Based Setup	
Fault Notification and Recovery	DMI BIOS	
	Hard Drives - Power on Self Test (POST) only	
	Surge Tolerant Power Supply	
	SMART III Ultra ATA Integrity Monitoring – DPS is supported in BIOS	
Other Features	Version of PCI Bus Supported – PCI Revision 2.2	
	Wake-on-LAN supported – with PCI PME# Signal	
	AOL Support – "No Boot" and "Processor Over Temp" signal are supported.	
	ACPI Compliant	
	Dual-State Power Button	
	Fast Boot	
Power Supply	50 Watt Internal Power Supply	

Standard Features

Security	Kensington Lock Support Lockable cover and MultiBay
Intelligent Manageability *	Tracking and security Fault notification and recovery Remote ROM flash Software deployment tools Wake-on-LAN support Note: * Intelligent Manageability is not supported under Windows ME.
Operating System	Dual Install Microsoft Windows 2000 (Service Pack 2) / Microsoft XP Professional (choose one for installation), or Windows XP Home
Service and Support	Three-year parts and on-site labor standard

Options

Memory	256-MB SDRAM (PC133)	174225-B21
	128-MB SDRAM (PC133)	174224-B21
Monitors	<i>TFTs</i>	
	Compaq TFT8030 Monitor (18-inch, Two-tone)	234362-001
	Compaq TFT8030 Monitor (18-inch, Baseless)	250199-001
	Compaq TFT5030 Monitor (15-inch, Two-tone)	228134-001
	Compaq TFT5030 Monitor (15-inch, Baseless)	250198-001
	Compaq TFT5015 Monitor (15-inch, Two-tone)	234044-001
	<i>CRTs</i>	
	<i>Professional Series</i>	
	Compaq P1220 CRT Monitor (21-inch, Two-tone)	244374-xxx
	Compaq P1210 CRT Monitor (21-inch, Two-tone)	230538-001
	Compaq P920 CRT Monitor (19-inch, Two-tone)	244375-xxx
	Compaq P910 CRT Monitor (19-inch, Two-tone)	230535-001
	Compaq P720 CRT Monitor (17-inch, Two-tone)	244373-xxx
	<i>Value Series</i>	
	Compaq V720 CRT Monitor (17-inch, Two-tone)	232944-xxx
	Compaq V510 CRT Monitor (15-inch, Two-tone)	228113-xxx
	<i>Standard Series</i>	
	Compaq S920 CRT Monitor (19-inch, Two-tone)	240326-xxx
	Compaq S710 CRT Monitor (19-inch, Carbon)	154499-002
	Compaq S720 CRT Monitor (17-inch, Two-tone)	239287-xxx
Compaq M720 CRT Monitor (17-inch, Two-tone)	238994-xxx	
Compaq S510 CRT Monitor (15-inch, Carbon)	168636-002	
Hard Drive	MultiBay 20-GB Hard Drive	250826-B21
Multiport	MultiPort Bluetooth Wireless	228057-B21
	MultiPort 802.11b Wireless LAN	233412-001
Multimedia	MultiBay 24X CD-ROM Drive	165864-B21
	MultiBay 8X DVD-ROM Drive with RAM Read	238401-B21
	MultiBay 8X CD-RW Drive	201808-B21
	Labtec Spin-22 Carbon Speakers	246637-001
Modem	Compaq 56K V 92 USB Modem	228141-XX1
Removable Storage	Disk-on-Key	249552-B25
	MultiBay 1.44MB Floppy Drive	226935-B25
Security Devices	Compaq Security Lock	294316-B21

Options

Other	Legacy Module	229038-B23
	USB Scroll Mouse	195255-B25
	PS/2 Scroll Mouse	103180-B21
	Wireless Keyboard/Mouse	251385-XX8
	USB Smart Card Keyboard	267147-XX8
	USB Easy Access Keyboard (Carbon/Silver)	267146-XX8
	PS/2 Easy Access Keyboard (Carbon/Silver)	267145-XX8

Memory

Compaq Evo D500 Ultra-slim Desktop 128 MB

STANDARD MEMORY

128 MB SDRAM standard

Memory		Slot 1	Slot 2
Standard	128 MB	128 MB	Empty

STANDARD MEMORY

PLUS OPTIONAL MEMORY

Support for up to 384 MB of SDRAM memory is available with the installation of optional memory kits.

Memory		Slot 1	Slot 2
Standard	128 MB	128 MB	Empty
	256 MB	128 MB	128 MB
	384 MB	128 MB	256 MB

STANDARD MEMORY REPLACED

WITH OPTIONAL MEMORY

Support for up to 512 MB of SDRAM memory is available with the removal of the standard 128-MB SDRAM module and the installation of optional memory upgrades.

Memory		Slot 1	Slot 2
Standard	128 MB	128 MB	Empty
	512 MB	256 MB	256 MB

Following are memory options available from Compaq:

- 128-MB SDRAM Memory Upgrade 174224-B21
- 256-MB SDRAM Memory Upgrade 174225-B21

Memory

Compaq Evo D500 Ultra-slim Desktop 256 MB

STANDARD MEMORY

256 MB SDRAM standard

Memory		Slot 1	Slot 2
Standard	128 MB	128 MB	Empty

STANDARD MEMORY

PLUS OPTIONAL MEMORY

Support for up to 512 MB of SDRAM memory is available with the installation of optional memory upgrades.

Memory		Slot 1	Slot 2
Standard	256 MB	256 MB	Empty
	384 MB	256 MB	128 MB
	512 MB	256 MB	256 MB

STANDARD MEMORY REPLACED

WITH OPTIONAL MEMORY

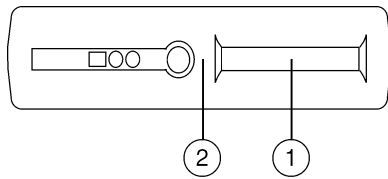
Support for up to 512 MB of SDRAM memory is available with the installation of optional memory upgrades.

Memory		Slot 1	Slot 2
Standard	256 MB	256 MB	Empty
	512 MB	256 MB	256 MB

Following are memory options available from Compaq:

- 128-MB SDRAM Memory Upgrade 174224-B21
- 256-MB SDRAM Memory Upgrade 174225-B21

Storage



COMPAQ D500 ULTRA-SLIM DESKTOP DRIVE SUPPORT

	Quantity Supported	Position Supported	Controller
Removable Storage Drives			
MultiBay 1.44MB Diskette Drive	1	MultiBay (1)	IDE
MultiBay 24X Max CD-ROM Drive	1	MultiBay (1)	IDE
MultiBay 8X Max CD-RW Drive	1	MultiBay (1)	IDE
MultiBay 8X Max DVD-ROM Drive with Ram Read	1	MultiBay (1)	IDE
Hard Drives			
20-GB 5400 rpm SMART III Ultra ATA Hard Drive	1	Internal Hard Drive (2)	Ultra ATA 100 (embedded)
40 GB 5400 rpm SMART III Ultra ATA Hard Drive		Internal Hard Drive (2)	Ultra ATA 100 (embedded) (CTO Only)
20-GB (MultiBay)	1	MultiBay (1)	IDE

Technical Specifications

System Unit	Dimensions (HxWxD)	2.72 x12.4 x12.83 in/7x32 x33 cm		
	Weight	11.2lbs/5.04kg (without MultiBay device, keyboard, and mouse)		
	Power Supply	Operating Voltage Range	90 to 132 VAC/180 to 264 VAC	
		Rated Voltage Range	100 to127 VAC/200 to 240 VAC	
		Rated Line Frequency	47-63 Hz	
		Rated Input Current	1.7A / 0.85A	
		Maximum Rated Power	50W	
	Temperature	Operating	50° to 95°F/10° to 35°C	
		Non-operating	-4° to 140°F/-20° to 60°C	
	Humidity	Operating	20% to 80%	
		Non-operating	10% to 90%	
	Maximum Altitude	Operating	10,000 ft/3,048 m	
		Non-operating	30,000 ft/9,144 m	
Maximum Rate of Change	1500 feet per minute/457 meters per minute			
Memory	128MB SDRAM standard			
Compaq USB Easy Access Keyboard	Dimensions (HxWxD)	1.4 x 18.3 x 6.3 in/36 x 465 x160 mm		
	Weight	Approximately 2 lbs/0.9 kg		
	Electrical	Operating Voltage	+5VDC ± 5%	
		Power Consumption	50 mA maximum (with 3 LEDs on)	
		System Interface	USB mini-din connector	
		ESD	CE level 4, 15 kV air discharge	
		EMI-RFI	Conforms to FCC rules for a Class B computing device	
		PC98	Functionally compliant	
	Mechanical	Languages	30+ available	
		Keycaps	Low-profile design	
		Switch Actuation	55 g nominal peak force with tactile feedback	
		Switch Life	20 million keystrokes (using Hasco modified tester)	
		Switch Type	Contamination resistant membrane	
Key Leveling Mechanism		For all double wide and greater length keys		
Cable Length		6 ft/1.8 m		
PC98-99		Mechanically compliant		
Acoustics		50 dBA maximum sound pressure level		
Environmental	Operating Temperature	50° to 122° F/10° to 50° C		
	Non-operating Temperature	-22° to 140° F/-30° to 60° C		
	Operating Humidity	10% to 90% (non condensing at ambient)		
	Non-operating Humidity	20% to 80% (non condensing at ambient)		
	Operating Shock	40 g, 6 surfaces		
	Non-operating Shock	80 g, 6 surfaces		
	Operating Vibration	2 g peak acceleration		
	Non-operating Vibration	4 g peak acceleration		

Technical Specifications

Compaq USB 2-Button Scroll Mouse	Scroll Wheel	8 mm	
	Maximum Rotation Speed	30 mm/s	
	Switch Type	Light force micro-switch	
	Switch Life	1 million operations	
	Mechanical Life	Minimum 200,000 revolutions	
	Environmental	Operating Temperature	50° to 122° F/10° to 50° C
		Non-operating Temperature	-22° to 140° F/-30° to 60° C
		Operating Humidity	10% to 90% (non condensing at ambient)
		Non-operating Humidity	20% to 80% (non condensing at ambient)
		Operating Shock	40 g, 6 surfaces
Non-operating Shock		80 g, 6 surfaces	
Operating Vibration		2 g peak acceleration	
Non-operating Vibration		4 g peak acceleration	
Electrical	Operating Voltage	+5VDC ± 10%	
	Power Consumption	15mA	
	System Consumption	USB mini-din connector	
	ESD	CE level 4, 15 kV air discharge	
	EMI-RFI	Conforms to FCC rules for a Class B computing device	
	PC98	Functionally compliant	
Mechanical	Resolution	400 ± 20% DPI	
	Tracking Speed	10 in/s maximum	
	Acceleration	100 in/s	
	Switch Actuation	85 g nominal peak force	
	Switch Life	1,000,000 operations (using Hasco modified tester)	
	Cable Length	2 m	
	PC98-99	Mechanically compliant	
Regulatory Approvals	UL, CSA, FCC, CE Mark, TUV, TUV GS, VCCI, BCIQ, C-Tick		

Technical Specifications

Intel 3D Direct AGP with Graphics Performance Accelerator	Bus Type	Integrated		
	Standard Memory	Utilizes dynamic DVMT shared memory allocation		
	Upgradable To	not upgradeable		
	DAC Speed	230 MHz		
	MPEG Support (Software)	N/A		
	Engine Acceleration	3 ROP bitBLT Line Draw Text Color Expansion Basic Video Color Conversion and Scaling Triangle Setup Engine		
	OS Support	Windows 2000, Windows XP Professional, Windows XP Home		
Refresh Rate with Memory Indicated				
Application	Resolution (Horizontal x Vertical)	Color Depth (Bits per Pixel)	Refresh Rate (Hz)	
2-D	640 x 480	4, 8, 16, and 24	60, 70, 72, 75, and 85	
2-D	800 x 600	8, 16, and 24	60, 70, 72, 75, and 85	
2-D	1,024 x 768	8, 16, and 24	60, 70, 72, 75, and 85	
2-D	1,152 x 864	8, 16, and 24	60, 70, 72, 85, and 85	
2-D	1,280 x 1,024	8, 16, and 24*	60, 70, 72, 85, and 85	
2-D	1,600 x 1200	8	60, 70, 72, and 75	
3-D	640 x 480	16	60, 70, 72, 75, and 85	
3-D	800 x 600	16	60, 70, 72, 75, and 85	
3-D	1,024 x 768	16	60, 70, 75, and 85	
4bpp (bits per pixel) = 16 colors				
8 bpp = 256 colors				
16bpp = 65, 536 colors				
24bpp = 16 million colors				
*24 at 60, 70, 75, and 85 only				

Technical Specifications

5400 rpm SMART III Ultra
ATA/100 Hard Drives

40-GB	Capacity	40,000 MB	
	Rotational Speed	5400 rpm	
	Interface	Ultra ATA/100	
	Transfer Rate Synchronous (Maximum)	66 MB/s	
	Height	1 in/25.4 mm	
	Width	3.5 in/88.9 mm	
	Seek Time (typical reads, including settling)	Single Track	1.5 ms (2.9 ms quiet seek)
		Average	10.5 ms (12.4 ms quiet seek)
		Full-Stroke	23 ms (23 ms quiet seek)
	Physical Configuration	Logical Blocks	39,102,336
	Operating Temperature	41° to 131°F/5° to 55°C	

20-GB	Capacity	20,000 MB	
	Rotational Speed	5400 rpm	
	Interface	Ultra ATA/100	
	Transfer Rate Synchronous (Maximum)	66 MB/s	
	Height	1 in/25.4 mm	
	Width	3.5 in/88.9 mm	
	Seek Time (typical reads, including settling)	Single Track	1.5 ms (2.9 ms quiet seek)
		Average	10.5 ms (12.4 ms quiet seek)
		Full-Stroke	23 ms (23 ms quiet seek)
	Physical Configuration	Logical Blocks	39,102,336
	Operating Temperature	41° to 131°F/5° to 55°C	

Technical Specifications

Integrated Intel Audio with Premier Internal Speakers	Card Type	PCI (integrated)
	Plug and Play	Yes
	Stereo Codec	Yes
	OPL3 FM Synthesis	128 WaveTable Synthesizer
	Compatibility	Sound Blaster Sound Blaster Pro Full DOS Game Compatibility
	Ports	Microphone in (10 Kohm) Line-in (10 Kohm) Line-out (Note: Line out cannot drive external passive speakers.) Headphone-out (33 ohm)
	Sampling	7KHz-48 KHz
	Compression	ADPCM, ESPCM
	OS support	Windows 2000 SP2 Windows XP Professional Windows XP Home
	Wavetable Syntheses (software)	Yes
	3D Positional Sound	No
	Analog Audio	
	Number of Channels (mono/stereo)	2
	Internal Audio Power Amp Rating	3 Watts
	Number of Fixed Equalization Stages	None
	Speaker (Internal)	40 mm x 70 mm

Technical Specifications

Integrated Intel 10/100 Network Connection	Connectors	RJ-45	
	Expansion Bus Architecture	PCI 2.2	
	Network Transfer Rate	10Base-T (Half-Duplex) 10 Mb/s	
		10Base-T (Full-Duplex) 20 Mb/s	
100Base-TX (Half-Duplex) 100 Mb/s 100Base-TX (Full-Duplex) 200 Mb/s			
Standards Compliance	IEEE VLAN Support (802.1A)		
	IEEE 802.2		
	IEEE 802.3 & IEEE 802.3u (100-Mb/s Ethernet)		
	IEEE Intel Priority Packet (801.1p)		
OS Driver Support	Microsoft Windows 2000 Service Pack 2		
	Microsoft Windows XP Professiona		
	Microsoft Window XP Home1		
Remote Wakeup	Yes, (PME# and WAKE signals) - no cable required on 810 or 820 chipset platforms		
Proactive Alert Technology	Yes, alert on LAN (transmit functionality only) requires management console software, such as Compaq Insight Manager. It also requires alert utilities for the management console, proxy client software, and client configuration software.		
Boot PROM support	Yes, Intel PRO/100 Boot Agent (PXE 2.0, RPL)		
F12 BIOS Support	Yes		
Environmental Requirements			
	Operating	Temperature	32° to 131° F/0° C to 55° C
		Humidity (non-condensing)	85% at 131° F/55° C
		Altitude	10,000 ft/3,048 m
	Non-Operating	Temperature	-40° to 158° F/-40° to 70° C
		Humidity (non-condensing)	
		Altitude	5,000 ft/15,240 m

Technical Specifications

MultiBay 8X CD-RW Drive	Dimensions (HxWxD)	0.5 x 5.22 x 4.96 in/1.27 x 13.25 x 12.61 cm
	Weight	0.741 lb/336 grams
	Maximum Transfer Rate	Write: 8X (1200KB/s) Re-write: 8X (1200KB/s)
	Operating System Support	Windows 2000, Windows XP Professional, Windows XP Home
	Option Kit Contents	CD-RW Drive, 1 CD-R media, 1 CD-RW media, Software, Documentation

MultiBay Hard Drive	20 GB	Capacity	20 GB	
		Height	1 in/25.4 mm	
		Width	3.5 in/88.9 mm	
		Interface	Ultra ATA/100	
		Transfer Rate Synchronous (Maximum)	100 MB/s	
		Seek Time (typical reads, including settling)	Single Track Average Full-Stroke	1.2 ms (2.7 ms quiet seek) 8 ms (14.3 ms quiet seek) 18.0 ms (24.1 ms quiet seek)
		Rotational Speed	7200 rpm	
		Logical Blocks	39,102,336	
		Operating Temperature	41° to 131°F/5° to 55°C	

MultiBay 24X CD-ROM Drive	MultiBay Drive	Dimensions (H x W x D)	0.5 x 5.2 x 5.0 inches (1.3 x 13.3 x 12.6 cm)	
		Weight	0.47 pounds (215.0 grams)	
	Applicable Disk	CD-ROM (Modes 1, 2 and 3), CD-XA ready (Modes 2, Form 1 and 2), CD-I ready (Mode 2, Forms 1 and 2), CD-R (read only), CD Plus, Photo CD (Single and Multi-session), CD-Extra, Video CD, CD-WO (fixed packets only), CD-Bridge		
	Center Hole Diameter	0.6 inch (15 mm)		
	Disk Diameter	4.7 inches (12 cm), 3.2 inches (8 cm)		
	Disk Thickness	0.05 inch (1.2 mm)		
	Track Pitch	1.6 µm		
	Access Times (typical reads, including settling)	Random	< 150 ms	
		Full-Stroke	< 300 ms	
	Audio Output Level	Line-out	0.7 V _{rm}	
	Cache Buffer	128 KB		
	Data Transfer Rate (typical, including settling)	Sustained (16X)	2400 Kbps (sustained)	
		Variable	1500 to 3600 Kbps (10X to 24X)	
		Normal PIO Mode 4 (single burst)	16.7 Mbps	
	Start-up Time	< 8 seconds		
	Stop Time	< 4 seconds		

Technical Specifications

MultiBay 8X DVD-ROM Drive with Ram Read	Form Factor	12.7 mm MultiBay		
	Center Hole Diameter	59 in/0.39 cm		
	Disc Diameter	12 cm/8 cm		
	Disc Thickness	1.2 mm		
	Track Pitch	0.74 μ m		
	Access Times (typical reads, including settling)	Random	< 180 ms	
		Full-Stroke	< 300 ms	
	Audio Output Level	Line out	0.7 Vrms	
	Cache Buffer	128 KB/s (minimum)		
	Data Transfer Rate (typical, including settling)	Sustained (16X) CD-ROM	2.4 MB/s	
		Sustained 8X DVD	10.08 MB/s	
		Normal PIO Mode 4 (single burst)	16.6 MB/s	
	Start-up Time	< 15 sec		
	Stop Time	< 4 sec		
Operating System Support	Windows 2000, Windows XP Professional, Windows XP Home			
Option Kit Contents	DVD Drive, Software, Documentation			
MultiBay 1.44 MB Diskette Drive	Dimensions (H x W x D)	5.26 x 5.24 x 5.71 in/13.35 x 13.3 x 14.5 cm		
	Weight	9.8 oz/0.27 kg or Xg		
	Transfer Rates	250 Media: 1200 to 2400 KB/s		
		100 Media: 138 to 1400 KB/s		
	Access Times (including settling)	Track-to-track: 5 ms		
		Average: 40 ms		
		Latency Average: 10 ms		
Maximum: 70 ms				
Operating Conditions	Temperature: 41° to 124.7°F/5° to 51.5°C			
	Humidity: 10% to 80% RH			
Operating System Support	Windows 2000, Windows XP Professional, Windows XP Home			
USB Disk on Key	Dimensions (HxWxD)	0.9x0.6x3.2inches(2.3x1.5x8.2cm)		
	Weight	0.05 pounds (0.02 kg)		
	USB Specification	1.1		
	Transfer Rate	Read-1023 KB/Sec; Write-850 KB/Sec		
	Storage Media	Solid state flash memory, no moving parts		
	Power Supply	USB Bus-powered, no external power required		
	Capacity	8MB, 16MB, and 32MB		
	Operating system support	Microsoft ®Windows®98, Microsoft Windows 2000, Microsoft Windows Me, Microsoft Windows XP Professional, Microsoft Windows XP Home		
	Option Kit Contents	Disk-on-Key, software, documentation		

Technical Specifications

Bluetooth MultiPort Module	Form Factor	Compaq "MultiPort"
	Bluetooth	1.1 Compliant
	Dimensions	56 mm x 167 mm x 14 mm
	Weight	100 grams (maximum)
	Temperature	10° C to 40° C, Operating -20° C to 60° C, Non-operating
	Humidity	10 to 90% operating 5 to 95% non operating
	Altitude	Operating 0 to 10,000 ft/3,048 m Non-operating 0 to 30,000 ft/9,144 m
	Plug and Play	USB 1.1 compliant Windows Plug and Play compliant
	Frequency Band	2,4000 to 2.4835 GHz
	Number of Available Channels	79 (1 MHz) available channels
	Data Rates and throughput	1 Mbps Synchronous Connection Oriented links up to 3, 64 kbps, voice channels Asynchronous Connection Less links 723.2kbps/57.6 Kb/s asymmetric or 433.9 kb/s symmetric
	Antenna type	Internally integrated within module (with special polarization diversity)
	Range	100 meters
	Profile Support	General Access Profile Service Discovery Application Profile Serial Port Profile Generic Object Exchange Profile File Transfer Profile Synchronization Profile Dial-Up Networking Profile LAN Access Profile Object Push Profile
	Usage Models	Service Discovery (determine what Bluetooth devices are within range and support authorization). Synchronization: PDAs to PCs Portable to Desktop File Transfer: File and directory browsing and navigation on another Bluetooth device. File copying Object manipulation – including add, delete, create new folders etc. Wireless link to Corporate LAN using several Bluetooth devices sharing the same Access Point: Corporate email, network neighborhood, access to LAN applications, file transfer, ftp, Internet browsing, etc, using TCP/IP Wireless link to WAN thru cell phone GSM/SMS, PCS, PHS, DECT, RAM, ARDIS, CDPD, etc. Agnostic to WAN technology Send/receive SMS messages Wireless link to Printer Adhoc peer to peer networking (two computers) or Personal Area Networking (PAN) using NDIS (<7 computers). Adhoc Bluetooth Pico-networking (point to multi-point) Object Push – Business card or appointment exchange

Technical Specifications

Bluetooth MultiPort Module <i>(continued)</i>	Transmit Power	<20 dBm (Bluetooth Class 1)
	Receive Sensitivity	Better than -70 dBm at 0.1% raw bit error rate
	Link Topology	Point to Point, Multipoint Pico Nets up to 7 slaves
	Security	Full support of Bluetooth Security Provisions
	Network Architecture Models	Ad-hoc (Peer to Peer) Infrastructure (Access Points Required)
	Power Requirement	Peak <1500mW Average <500mW Standby <250mW
	Power Management	Windows ACPI, and USB Bus Support Keystrokes Fn+F2 Power On/Off control Self configurable to optimize power conservation in all operating modes, including Standby, Hold, Park, and Sniff
	OS Support	Microsoft Windows 2000 Microsoft Windows XP Professional Microsoft Windows XP Home
	Protocols Supported	TCP/IP IPX/SPX UDP
	LED Activity	Solid Blue LED – On LED Off – Power Off
	Certifications	All necessary regulatory approvals for countries we support including FCC (47 CFR) Part 15C, Section 15.247&15.249 ETS 300 328, ETS 300 826 Low Voltage Directive IEC950 UL, CSA, and CE Mark

Technical Specifications

802.11b MultiPort Module	Form Factor	Compaq "MultiPort"
	Weight	100 grams (maximum)
	Operating Temperature	-10° C to 65° C, operating
	Storage Temperature	-40° C to 80° C, non-operating
	Humidity	10 to 90% operating 5 to 95% non operating
	Altitude	15,000 feet, operating 40,000 feet, non-operating
	Plug and Play	USB 1.1 compliant Windows Plug and Play compliant
	RF Network Standard	IEEE 802 Part 11b (802.11b)
	Frequency Band	2,4000 to 2.4835 GHz 2,4465 to 2.4835 GHz (France) 2,4000 to 2,4697 GHz (Japan)
	Number of Selectable Sub-channels	Worldwide Certification
		United States (FCC) 11
		France (FR) 4
		Japan (JP) 14
		Other countries 13
	Data Rates	1, 2, 5.5, 11 Mbps
	Antenna type	Internally integrated within module (with special polarization diversity)
	WEP Security	64 bit encryption keys compliant to IEEE 802.11 128 bit encryption key compliant to IEEE 802.11 Ability to enter keys manually or via pass-phrase
	Network Architecture Models	Ad-hoc (Peer to Peer) Infrastructure (Access Points Required)
	Modulation Technique	Direct Sequence Spread Spectrum DBPSK, DQPSK, CCK
	Receiver Sensitivity – Bit Error Rate (1E-5)	11 Mbps: -85 dBm 5.5 Mbps: -87 dBm 2 Mbps: -91 dBm 1 Mbps: -94 dBm
	Maximum Receive Level	-4 dBm
	Output Power (approx)	18 dBm
	Operating Voltage	5V power operation
	Power Management	Keystroke Fn+F2 Power On/Off control
	Power Consumption	Transfer mode: <600 mA, maximum Receive mode: >400 mA, maximum Standby 1mA maximum
	Transmit Power	10 to 100mW. It is preferable to have the user configurable output power to save battery life for laptop users or in high AP coverage areas.
	Power Saving Option	802.11 Compliant Power Saving Power Saving Mode selectable through the configuration utility ACPI compliant power management
	Media Access Protocol	CSMA/CA (Collision Avoidance) with ACK
	OS Support	Microsoft Windows 2000 Microsoft Windows XP Professional Microsoft Windows XP Home

Technical Specifications

802.11b MultiPort Module (continued)	Protocols Supported	TCP/IP IPX/SPX UDP
	LED Activity	Flashing LED – AP Search Mode Solid LED – On LED Off – Power Off
Throughput, Data Rate and Operating Distance		
	Throughput	Data Rate
		Operating Distance
> 4.5 Mbps	11 Mbps	<ul style="list-style-type: none"> • 1000 feet – Open sight • 100 feet – Closed space (Steel Space)
>2 Mbps	5.5 Mbps	<ul style="list-style-type: none"> • 1100 feet – Open sight • 200 feet – Closed space (Steel Space)
>700 Kbps	1 Mbps	<ul style="list-style-type: none"> • 1200 feet – Open sight • 300 feet – Closed space (Steel Space)

Compaq PCs use genuine Microsoft® Windows®

<http://www.microsoft.com/piracy/howtotell>

© 2002 Compaq Information Technologies Group, LP.

Compaq, the Compaq logo and Evo are trademarks of Compaq Information Technologies Group, L.P. in the U.S. and/or other countries. Microsoft, MS, Windows and Windows NT are trademarks of Microsoft Corporation in the U.S. and/or other countries. Intel, the Intel Inside Logo, and Pentium are trademarks of Intel Corporation in the U.S. and/or other countries. All other product names mentioned herein may be trademarks of their respective companies.

Compaq shall not be liable for technical or editorial errors or omissions contained herein. The information is provided "as is" without warranty of any kind and is subject to change without notice. The warranties for Compaq products are set forth in the express limited warranty statements accompanying such products. Nothing herein should be construed as constituting an additional warranty.